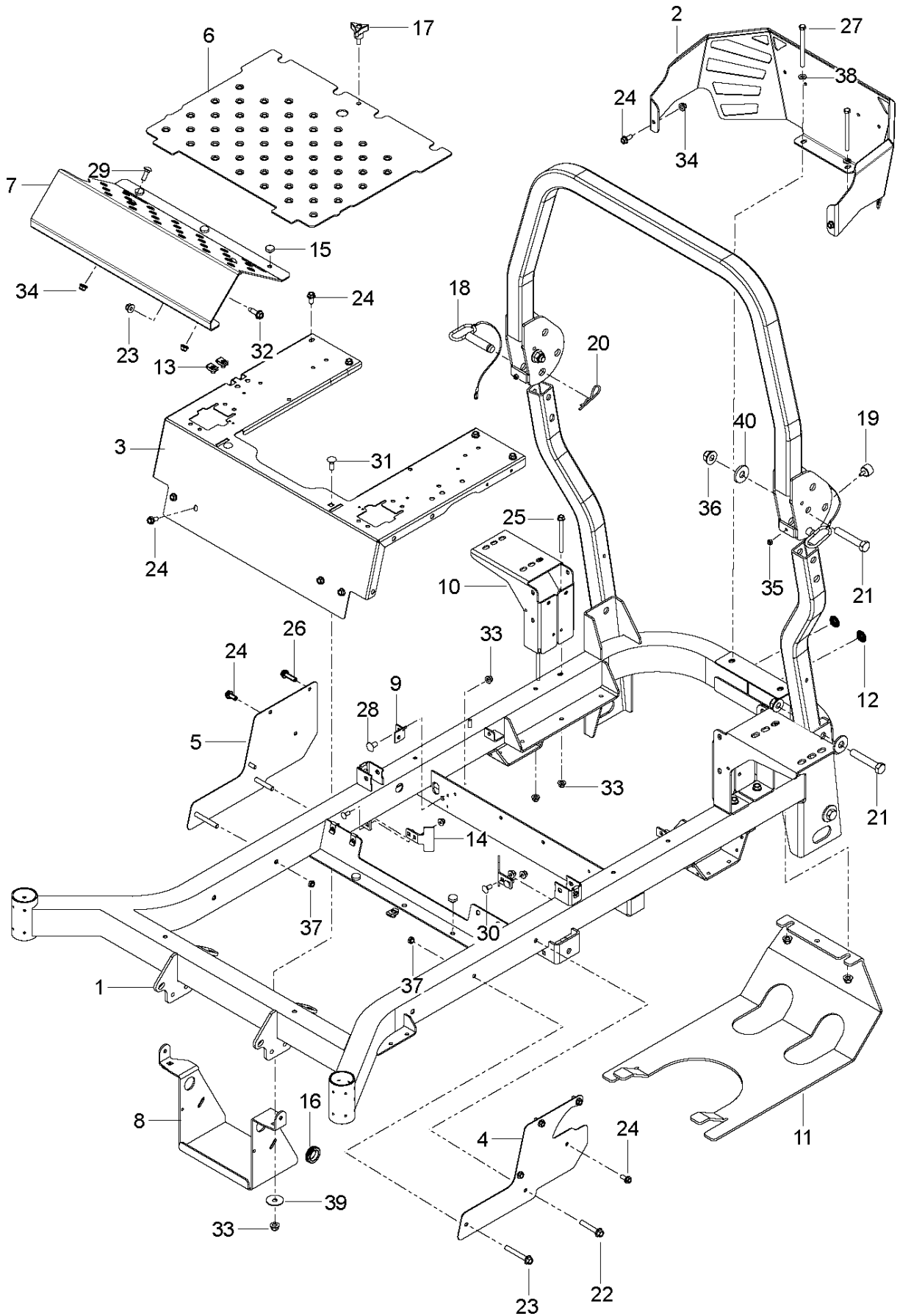




SPARE PARTS LIST

ZERO TURN: COMMERCIAL

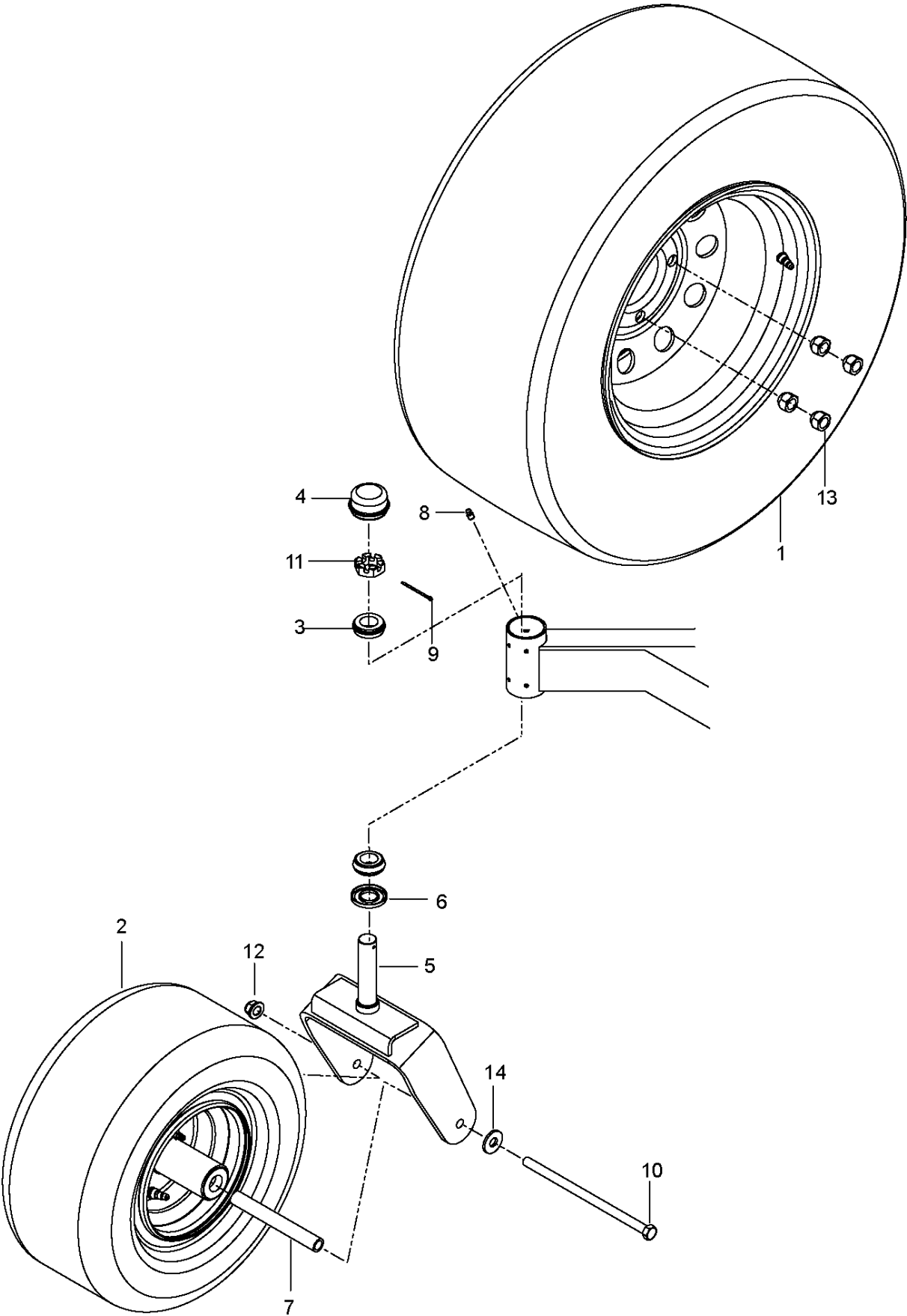
CZT61, 967671401-00, 2017-09



FRAME

CZT61, 967671401-00, 2017-09

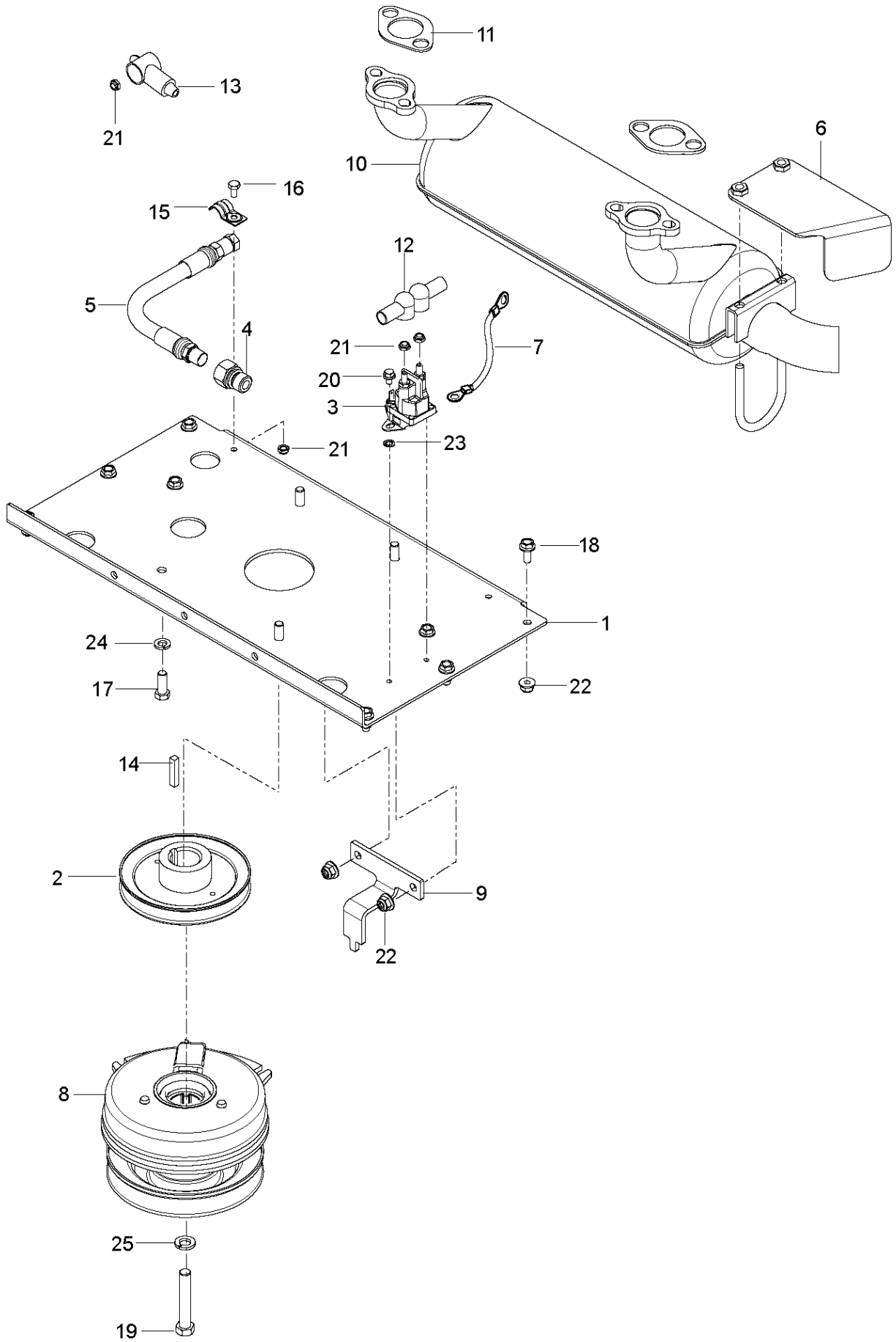
Ref	Part No	Description	Remark	QTY KIT
1	501 65 60-05	FRAME		1
2	587 61 83-12	GUARD		1
3	586 86 77-06	SUPPORT		1
4	586 56 01-03	BRACKET		1
5	586 56 02-03	BRACKET		1
6	575 62 03-03	PLATE		1
7	521 94 13-04	PLATE		1
8	587 04 87-02	BRACKET		1
9	575 24 52-02	BRACKET		2
10	575 53 36-02	MOUNT		2
11	521 92 18-05	GUARD		1
12	587 99 05-01	CAP		2
13	539 10 47-63	CLIP		8
14	505 25 64-01	STOP		2
15	539 10 25-87	ABSORBER		7
16	539 10 59-74	GROMMET		1
17	539 10 44-11	KNOB		1
18	574 38 80-01	PIN		2
19	522 80 14-01	BUMPER		2
20	539 20 07-15	PIN HAIR .148 X 2-15/16 #210		2
21	580 75 46-01	BOLT		6
22	539 13 30-06	HHFS 3/8-16 X 2.5 GR 5 ZD		2
23	874 49 06-44	BOLT		2
24	874 49 05-12	BOLT		18
25	874 49 05-60	BOLT		4
26	525 54 40-01	BOLT		1
27	539 10 23-35	BOLT		2
28	872 05 06-06	BOLT		2
29	539 99 02-08	SCREW		3
30	539 99 03-16	BOLT		2
31	539 99 06-45	RHSNB 3/8C X 1		2
32	539 11 32-26	BLT 5/16-18 X 1 THRD FORM ZD		2
33	521 99 65-01	NUT		4
34	539 11 28-99	NUT, 5/16-18, NYLOC		12
35	539 97 69-78	NUT		2
36	525 82 91-01	NUT		6
37	539 20 02-82	NUT		6
38	819 11 11-16	WASHER		2
39	819 13 24-16	WASHER		2
40	539 10 26-53	WASHER		4
	575 62 37-02	ROPS	NOT SHOWN	1



WHEELS & TIRES

CZT61, 967671401-00, 2017-09

Ref	Part No	Description	Remark	QTY KIT
1	586 95 54-03	WHEEL ASSY		2
1	582 74 64-01	TIRE		2
2	581 19 95-03	WHEEL ASSY		2
3	539 10 25-43	BEARING		4
4	539 10 25-35	CAP		2
5	586 92 19-08	FORK		2
6	539 10 28-51	SEALING		2
7	575 33 49-01	SPACER		2
8	539 10 14-74	NIPPLE		2
9	539 10 28-89	SPLIT PIN		2
10	539 10 55-17	BOLT		2
11	539 10 28-52	CASTLE NUT		2
12	521 99 11-01	NUT		2
13	587 65 39-02	NUT		8
14	819 18 22-12	WASHER		2

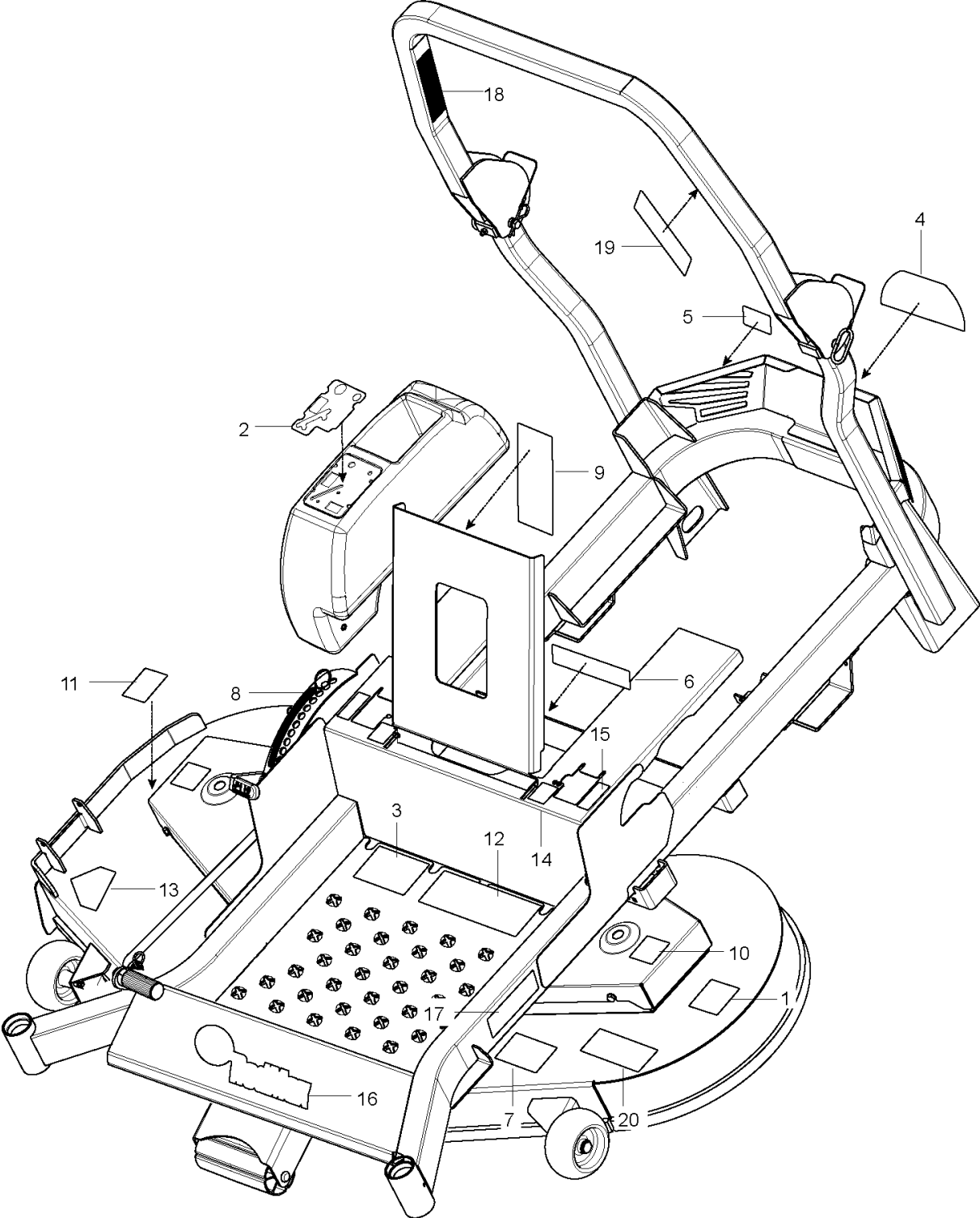


ENGINE PLATE

CZT61, 967671401-00, 2017-09

Ref	Part No	Description	Remark	QTY KIT
1	586 65 14-02	PLATE		1
2	574 81 10-01	PULLEY		1
3	582 04 28-01	SOLENOID		1
4	522 59 90-01	ADAPTER		1
5	584 82 55-01	HOSE ASSY		1
6	579 15 09-01	SHIELD		1
7	539 10 27-57	CABLE		1
8	574 60 70-01	CLUTCH		1
9	575 01 73-02	STOP		1
10	525 75 02-01	MUFFLER		1
11	586 83 97-01	GASKET		2
12	539 13 15-63	PULLEY		2
13	539 10 27-59	INSULATOR		1
14	539 91 27-57	KEY		1
15	539 10 13-63	CLAMP		1
16	539 99 00-71	HCS ¼-20 X ½ GR 5 ZD		1
17	539 99 05-63	SCREW		4
18	874 49 05-12	BOLT		8
19	581 33 28-02	BOLT		1
20	539 99 03-02	HWST 1/4C X 3/8		1
21	539 10 81-20	NUT		4
22	539 11 28-99	NUT, 5/16-18, NYLOC		10
23	539 99 00-53	WASHER		1
24	539 99 01-18	WASHER		4
25	539 99 02-47	WASHER		1

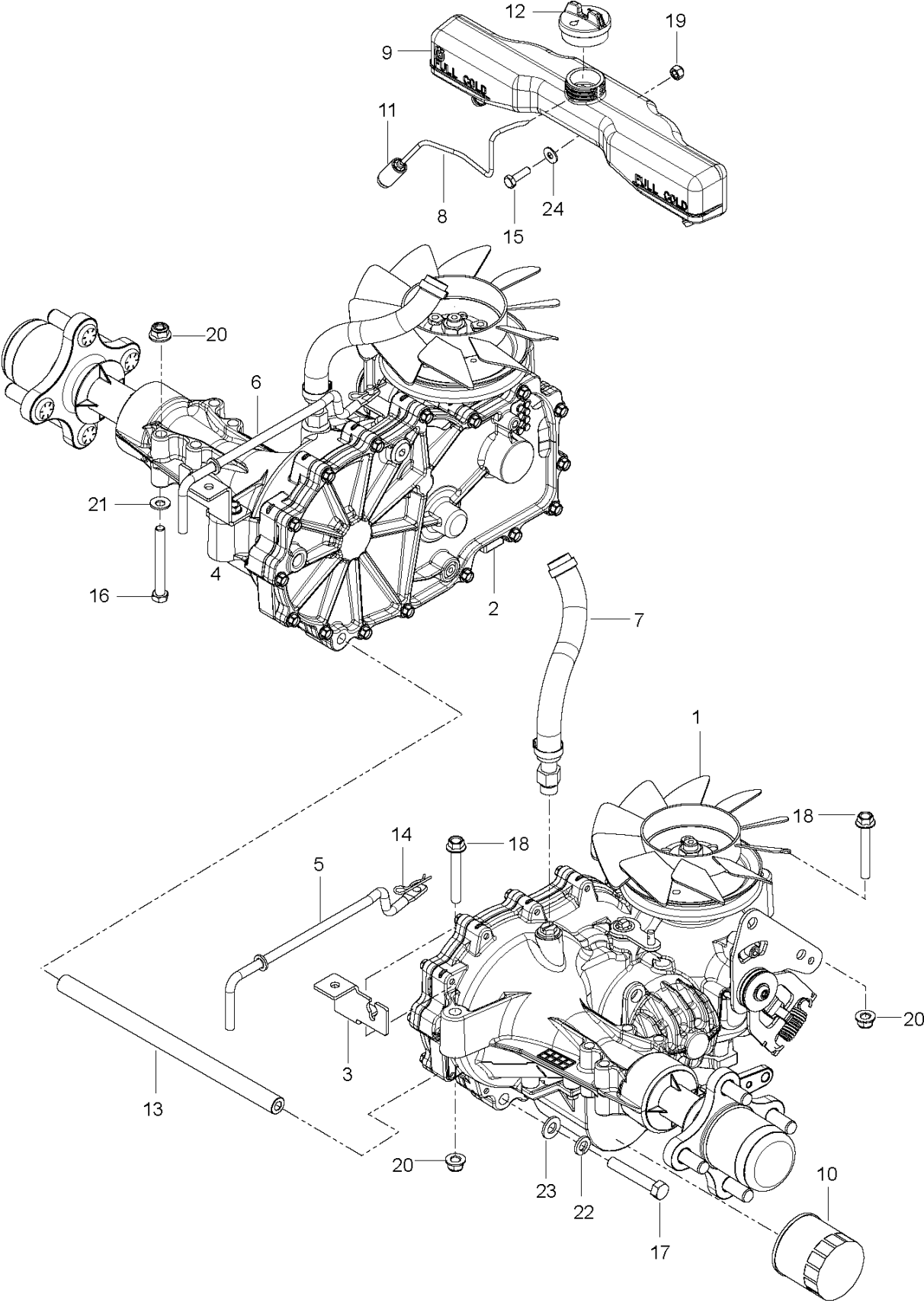
Ref	Part No	Description	Remark	QTY KIT
1	581 50 54-05	DECK		1
2	539 10 43-35	BELT		1
3	539 11 33-12	BLADE		3
4	539 13 18-98	SPINDLE		3
5	539 10 34-27	BUSHING		1
6	539 11 21-69	IDLER BUSHING		2
7	539 13 27-28	PULLEY		3
8	539 11 33-00	PULLEY		3
9	539 11 21-98	IDLER ARM		1
10	587 48 08-03	SHIELD		1
11	587 48 09-03	SHIELD		1
12	584 85 94-02	BRACKET		2
13	584 85 94-04	BRACKET		2
14	539 13 09-01	CHUTE. RUBBER DISCHARGE 52/61"		1
15	539 11 33-17	61 CONFINEMENT PLATE, BLACK		1
16	532 11 04-85	BEARING		3
17	539 10 32-56	SPRING		1
18	581 60 61-06	BRACKET		1
19	539 13 09-17	PIVOT BRACKET - CHUTE		1
20	532 17 60-66	ROLLER		1
21	532 17 91-27	ROD ROLLER NOSE		1
22	539 13 18-59	TRUNION. PITCH		2
23	532 13 39-57	WHEEL		2
24	539 97 69-98	NIPPLE		1
25	876 02 04-12	SPLIT PIN		2
26	539 13 09-20	BRKT. REINF - CHUTE 52/61"		1
27	532 18 72-91	SHAFT ASM MANDREL		3
28	539 10 47-63	CLIP		8
29	539 10 83-96	HCS 5/16-18X2-1/2 TPBLT GR5 ZD		2
30	539 99 05-63	SCREW		2
31	539 97 69-34	SCREW		8
32	539 99 05-82	SCREW		1
33	539 10 34-33	SCREW		1
34	874 78 05-20	BOLT		2
35	539 99 07-99	BOLT		3
36	539 10 72-71	SCREW		2
37	539 10 04-72	SCREW		2
38	539 10 29-33	RHSNB 5/16-18 X 1-1/2 GR 5 ZD		2
39	532 19 30-03	SCREW		3
40	532 13 76-44	SCREW		2
41	584 95 39-01	BOLT		12
42	874 78 06-48	BOLT		2
43	539 99 07-17	NUT		3
44	539 99 01-96	NUT		2
45	539 97 69-79	NUT		6
46	873 80 08-00	NUT		1
47	539 11 28-99	NUT, 5/16-18, NYLOC		8
48	532 40 02-34	NUT		3
49	539 10 65-04	WASHER		2
50	819 12 14-14	WASHER		10
51	539 10 96-00	WASH 5/16 DISC SPRING ZD		8
52	539 10 22-43	WASHER		1
53	819 18 22-12	WASHER		1
54	532 18 76-90	WASHER		3
55	819 14 16-14	WASHER		3



DECALS

CZT61, 967671401-00, 2017-09

Ref	Part No	Description	Remark	QTY KIT
1	591 07 90-01	DECAL	61	1
2	590 79 19-01	DECAL	CONSOLE	1
3	587 49 41-01	DECAL	START	1
4	590 79 24-01	DECAL	LOGO	2
5	539 10 57-44	DECAL	DANGER BELT DRIVE	1
6	539 10 57-45	DECAL	BATTERY WARNING	1
7	539 11 26-20	DECAL	BELT ROUTING	1
8	591 10 13-01	DECAL	HEIGHT ADJUST	1
9	539 13 21-87	DECAL	SERVICE	1
10	581 72 43-01	DECAL	NO STEP	2
11	581 72 44-01	DECAL	DEFLECTOR	1
12	590 48 55-01	DECAL	WARNING	1
13	584 90 46-01	DECAL	BLADE WARNING	1
14	501 26 12-01	DECAL	TRACKING	2
15	587 60 90-01	DECAL	MOTION CONTROL	2
16	590 79 91-01	DECAL	LOGO	2
17	591 07 97-01	DECAL	CZT61	1
18	574 56 90-02	DECAL	ROPS WARNING	1
19	574 56 90-05	DECAL	ROPS	1
20	539 12 13-22	FOOT PAD		1



HYDRAULIC PUMP - MOTOR

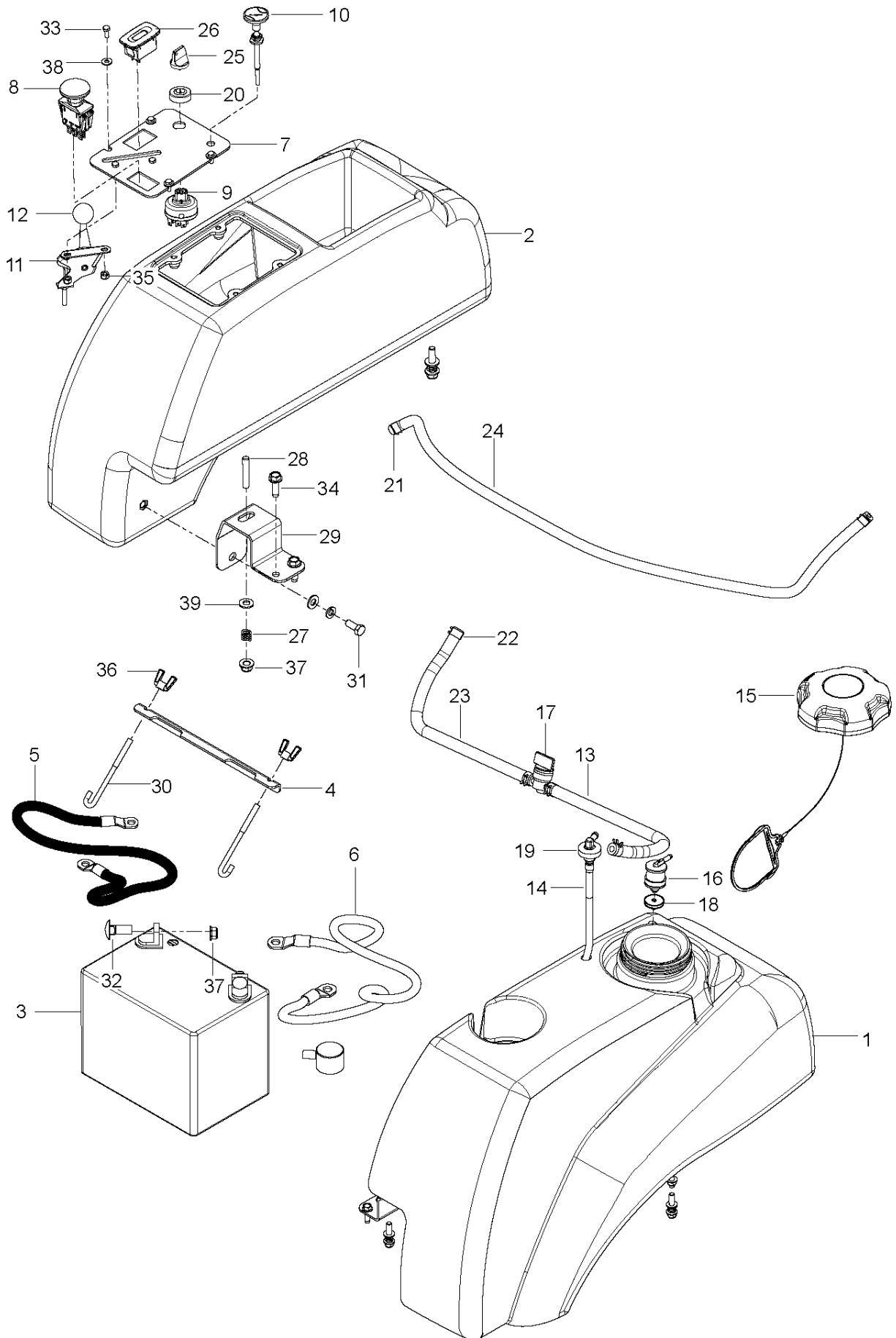
CZT61, 967671401-00, 2017-09

Ref	Part No	Description	Remark	QTY KIT
1	574 56 91-01	TRANSMISSION		1
2	574 56 91-02	TRANSMISSION		1
3	575 01 71-02	BRACKET		1
4	575 01 70-02	BRACKET		1
5	539 13 16-16	LINKAGE. LEFT BYPASS		1
6	539 13 16-18	LINKAGE. RIGHT BYPASS		1
7	574 89 21-01	HOSE ASSY		2
8	586 06 75-01	HOSE		1
9	585 31 82-01	TANK		1
10	539 11 34-66	OIL FILTER		2
11	530 09 56-46	FILTER		1
12	586 07 27-01	CAP		1
13	574 86 85-01	SPACER		1
14	539 97 69-88	PIN RETAINING SCREW		2
15	539 99 06-43	HCS 1/4-20X7/8 GR5		1
16	874 78 05-44	BOLT		4
17	539 10 85-51	HCS 3/8-16X2-1/4 LOC PATCH GR8		2
18	574 23 38-01	HHFS		4
19	539 97 69-78	NUT		1
20	539 11 28-99	NUT, 5/16-18, NYLOC		8
21	819 11 11-16	WASHER		4
22	539 99 01-18	WASHER		2
23	539 99 01-22	WASHER		2
24	539 99 00-55	WASHER 1/4 SAE		1

STEERING

CZT61, 967671401-00, 2017-09

Ref	Part No	Description	Remark	QTY KIT
1	590 09 08-03	TUBE		1
2	590 09 08-04	TUBE		1
3	532 10 95-53	SWITCH		2
4	585 12 47-05	BRACKET		2
5	532 43 82-82	BEARING UNIT		4
6	587 18 77-01	CONTROL		2
7	577 42 00-01	LEVER		2
8	584 92 72-01	SPACER		2
9	539 10 27-20	GAS SPRING		2
10	581 43 75-01	BLOCK		2
11	539 10 28-45	SPRING		1
12	576 85 03-01	SPRING		1
13	539 13 17-99	KNOB		1
14	574 81 14-01	ROD		2
15	539 11 66-89	ROD END COUPLER		2
16	588 69 25-02	ROD		2
17	579 76 46-01	JOINT		2
18	581 22 30-01	PLATE		2
19	576 85 04-02	SCREW		2
20	574 82 27-01	SCREW		4
21	874 78 05-20	BOLT		5
22	874 78 08-44	BOLT		2
23	539 97 69-35	CAPSCREW		4
24	525 54 40-01	BOLT		4
25	874 49 05-12	BOLT		8
26	539 99 10-73	NUT		2
27	539 99 05-85	NUT		4
28	539 10 80-10	NUT, 1/2-13, JAM, NYLOC, GR2		2
29	539 99 07-17	NUT		4
30	539 11 28-99	NUT, 5/16-18, NYLOC		10
31	539 99 02-23	NUT		4
32	819 11 11-16	WASHER		14



IGNITION SYSTEM

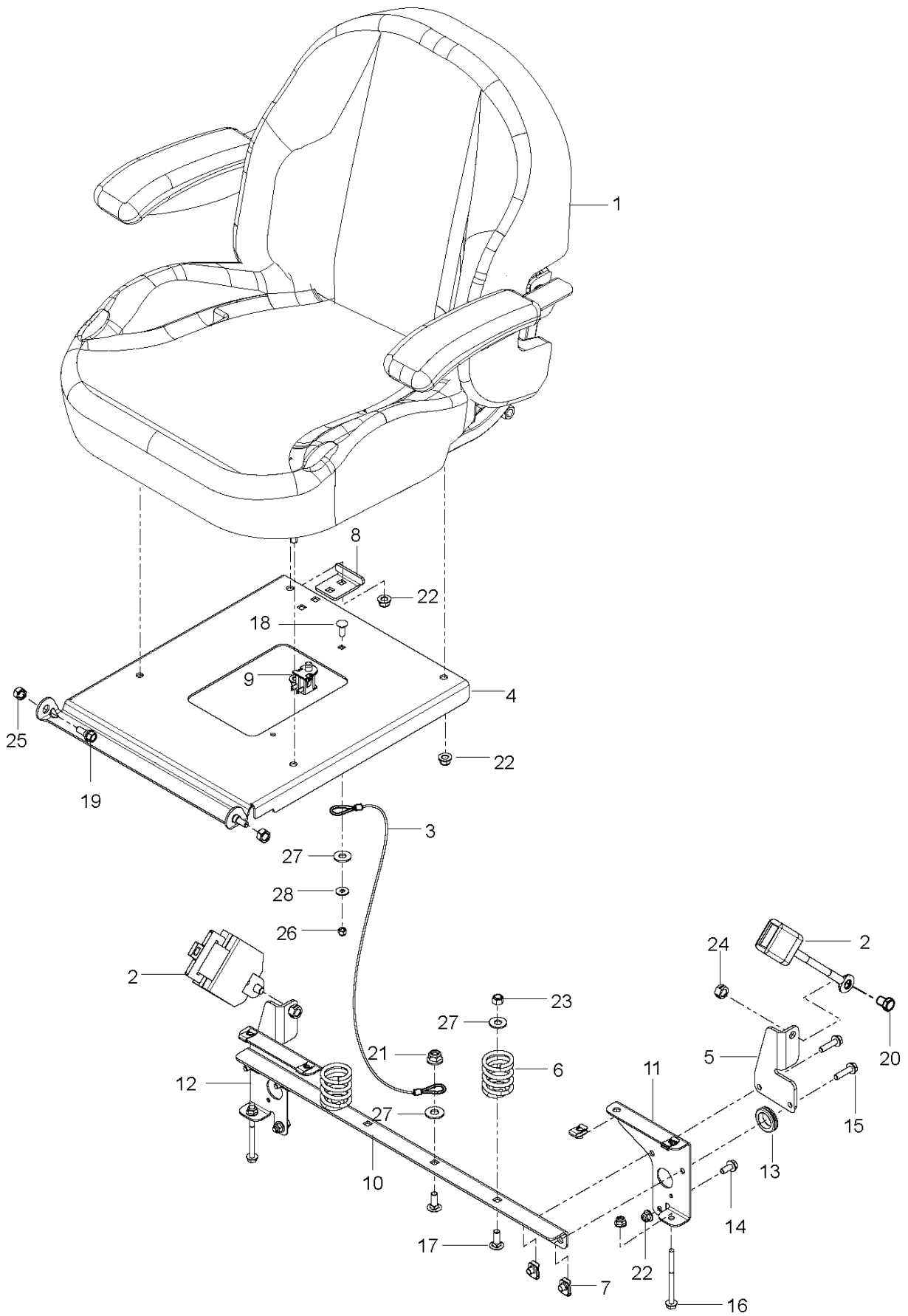
CZT61, 967671401-00, 2017-09

Ref	Part No	Description	Remark	QTY	KIT
1	585 72 23-06	FUEL TANK ASSY		1	14, 15, 16, 18, 19
2	576 68 37-01	CONSOLE		1	
3	539 10 24-36	BATTERY		1	
4	588 10 72-01	BRACKET		1	
5	588 03 08-01	CABLE		1	
6	588 03 07-01	CABLE		1	
7	574 84 12-04	PLATE		1	
8	582 10 76-02	SWITCH		1	
9	574 45 54-01	SWITCH		1	
10	574 20 69-03	CABLE		1	
11	539 11 24-38	THROTTLE CABLE		1	
12	539 13 30-49	KNOB ROUND BALL		1	
13	586 12 39-03	FUEL HOSE		1	17, 22, 23
14	576 46 92-01	FITTING		1	
15	575 01 81-01	CAP		1	
16	576 61 81-01	TANK VENT		1	
17	539 91 63-25	FUEL VALVE		1	
18	576 61 82-01	GROMMET		1	
19	539 10 52-45	GROMMET		1	
20	539 10 31-78	NUT CAP		1	
21	575 43 65-01	CLAMP		2	
22	532 12 34-87	HOSE CLAMP		4	
23	587 04 48-10	HOSE		2	
24	587 04 45-27	HOSE		1	
25	574 45 55-01	KEY		1	
26	586 16 18-01	HOUR METER		1	
27	539 10 28-45	SPRING		6	
28	539 10 25-02	STUD		6	
29	588 84 32-02	SUPPORT		2	
30	510 06 40-01	HOOK		2	
31	539 97 69-34	SCREW		2	
32	539 99 03-16	BOLT		2	
33	539 99 04-11	SCREW		6	
34	817 49 05-16	SCREW		3	
35	539 97 69-77	NUT		2	
36	539 99 09-97	WINGNUT		2	
37	539 11 28-99	NUT, 5/16-18, NYLOC		13	
38	819 07 08-18	WASHER		4	
39	819 11 11-16	WASHER		8	
	589 66 99-01	HARNESS	NOT SHOWN	1	
	532 40 96-15	RELAY HARNESS.SEALED	NOT SHOWN	1	

PARKING BRAKE

CZT61, 967671401-00, 2017-09

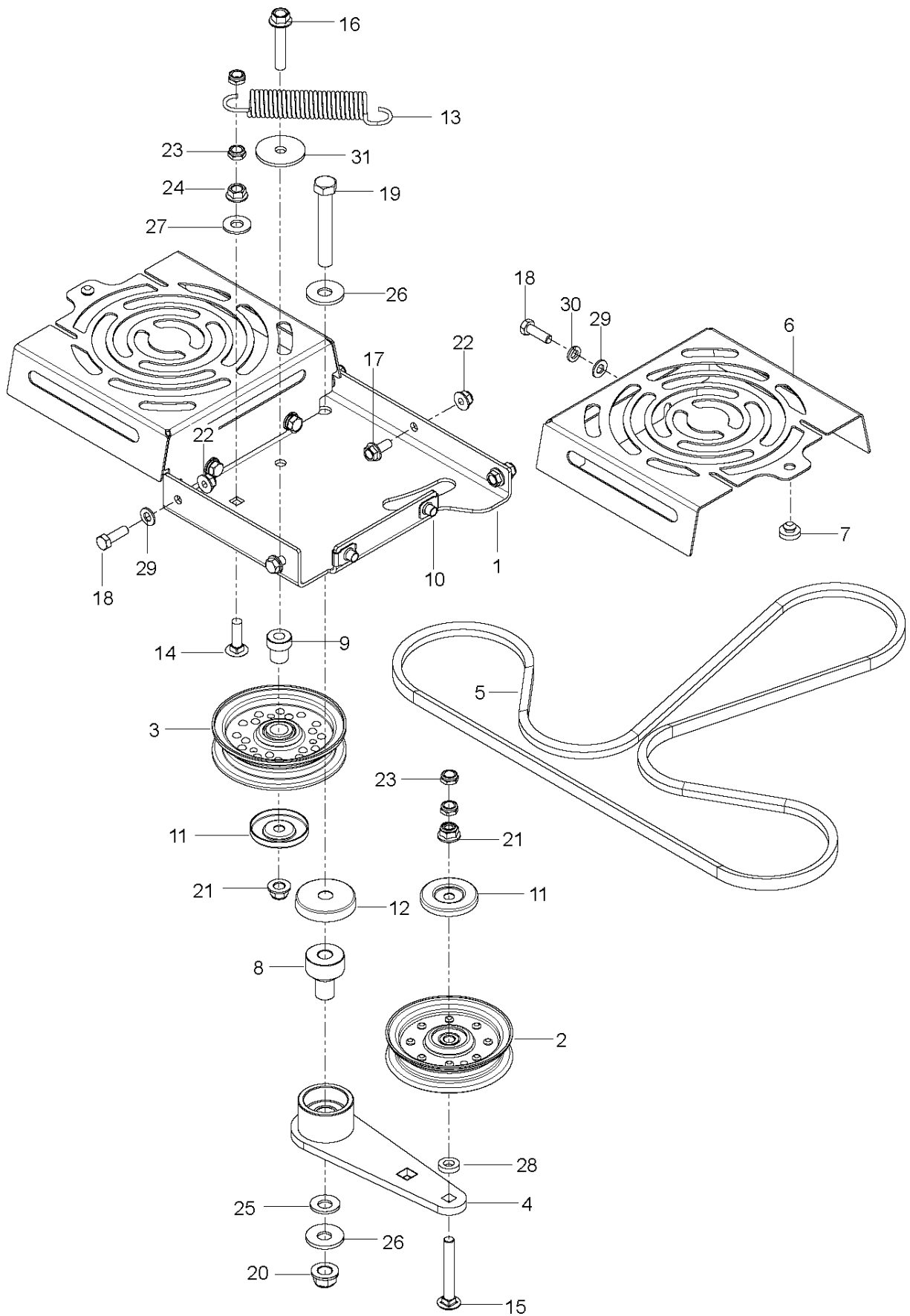
Ref	Part No	Description	Remark	QTY KIT
1	539 13 21-51	ARM. BRAKE		1
2	539 10 50-36	GRIP		1
3	575 22 96-02	BRACKET		1
4	575 22 97-02	BRACKET		1
5	586 73 88-02	LEVER		1
6	575 23 02-01	SPRING		2
7	575 23 03-01	SPRING		2
8	586 83 00-02	MOUNT		1
9	539 13 21-54	ACTUATOR		1
10	539 13 21-53	BELLCRANK		1
11	539 13 24-24	LINKAGE. BRAKE		1
12	575 22 98-02	BRACKET		2
13	539 13 21-61	BUSHING. BRAKE		4
14	539 10 47-63	CLIP		3
15	582 12 18-01	CABLE ASSY		1
16	582 12 20-01	CABLE ASSY		2
17	505 28 00-01	TIE WRAP		2
18	539 99 06-43	HCS 1/4-20X7/8 GR5		4
19	539 10 83-96	HCS 5/16-18X2-1/2 TPBLT GR5 ZD		1
20	539 99 05-63	SCREW		2
21	539 99 02-09	SCREW		1
22	539 11 03-03	BOLT		2
23	539 99 06-45	RHSNB 3/8C X 1		2
24	539 99 03-16	BOLT		1
25	539 13 17-80	HHFS 5/16-18 X 3 3/4		1
26	874 49 05-12	BOLT		1
27	539 11 28-99	NUT, 5/16-18, NYLOC		2
28	539 99 05-85	NUT		5
29	539 99 07-17	NUT		1
30	521 99 65-01	NUT		2
31	539 11 56-17	5/16-18 THIN PROF NY		2
32	539 20 02-82	NUT		2
33	539 97 69-78	NUT		4
34	539 10 78-97	NUT 5/16-18 HEX JAM ZD - DROP		2
35	539 99 00-55	WASHER 1/4 SAE		8
36	539 13 30-07	WASHER. .825 X 1.087. WAVE		1
37	539 99 01-22	WASHER		2
38	819 18 22-12	WASHER		1
	532 19 78-02	SWITCH	NOT SHOWN	1



SEAT

CZT61, 967671401-00, 2017-09

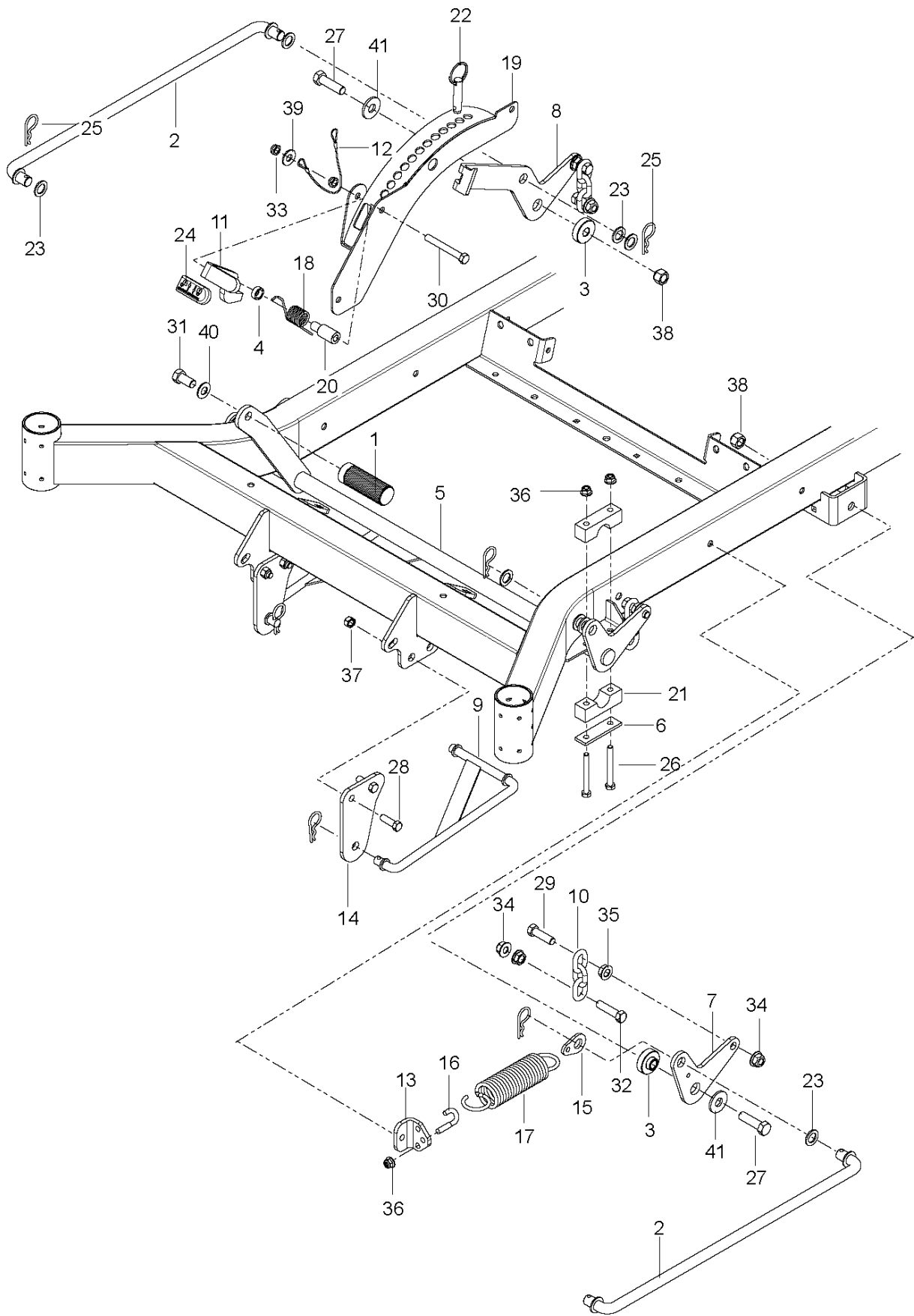
Ref	Part No	Description	Remark	QTY KIT
1	590 89 66-01	SEAT		1
2	539 13 03-59	BELT		1
3	539 10 32-47	WIRE, SEAT LANYARD		1
4	501 76 21-06	SUPPORT		1
5	584 91 68-02	MOUNT		2
6	587 61 33-01	SPRING		2
7	539 10 47-63	CLIP		8
8	539 13 07-93	STOP. SEAT - BLACK		1
9	539 11 97-41	SWITCH		1
10	584 80 91-02	SUPPORT		1
11	584 99 01-02	SUPPORT		1
12	584 99 02-02	SUPPORT		1
13	539 10 59-74	GROMMET		1
14	874 49 05-12	BOLT		2
15	525 54 40-01	BOLT		4
16	874 49 05-60	BOLT		2
17	539 99 06-45	RHSNB 3/8C X 1		3
18	539 11 56-20	1/4-20X3/4 CARR BLT		1
19	539 13 08-96	SB 5/16-18 HEX HD GD5. BLK ZN		2
20	539 11 20-34	HCS 7/16-20 X .75 GD 5		2
21	521 99 65-01	NUT		2
22	539 11 28-99	NUT, 5/16-18, NYLOC		11
23	539 97 69-79	NUT		2
24	539 99 03-94	NUT LOCKING		2
25	873 80 05-00	LOCK NUT		2
26	539 97 69-78	NUT		1
27	819 14 16-14	WASHER		4
28	819 09 12-16	WASHER		1



HYDRAULIC FRAME

CZT61, 967671401-00, 2017-09

Ref	Part No	Description	Remark	QTY KIT
1	586 67 04-02	PLATE		1
2	539 97 66-88	PULLEY		1
3	532 17 58-20	PULLEY		1
4	510 04 16-03	ARM		1
5	574 87 09-01	BELT		1
6	584 99 42-02	SHIELD		2
7	539 10 25-87	ABSORBER		2
8	510 20 63-01	PIVOT		1
9	525 43 56-01	PIVOT		1
10	539 10 47-63	CLIP		4
11	510 25 45-01	SHIELD		2
12	539 11 46-62	SHIELD, DUST		1
13	510 25 44-01	SPRING		1
14	872 14 06-10	BOLT		1
15	539 13 02-35	RHSNB 3/8-16 X 2.75 GR5 ZD		1
16	874 49 06-32	SCREW		1
17	874 49 05-12	BOLT		3
18	539 99 02-09	SCREW		6
19	874 78 08-52	BOLT		1
20	521 99 11-01	NUT		1
21	521 99 65-01	NUT		2
22	539 11 28-99	NUT, 5/16-18, NYLOC		5
23	539 20 02-82	NUT		4
24	539 99 06-13	NUT		1
25	539 11 55-28	1/2` CONTACT BELLSPR		1
26	819 18 22-12	WASHER		2
27	819 14 16-14	WASHER		1
28	539 10 95-62	WASH 3/8 X 3/4 X .187 TK SPEC		1
29	819 11 11-16	WASHER		6
30	539 99 01-87	WASHER		4
31	539 11 18-97	WASHER, 3/8, SPEC		1



MOWER LIFT / DECK LIFT

CZT61, 967671401-00, 2017-09

Ref	Part No	Description	Remark	QTY KIT
1	510 40 83-01	PEDAL		1
2	539 11 08-08	CROSS LINK		2
3	586 70 17-01	SPACER		2
4	539 13 18-61	SPACER. .3		1
5	586 92 87-02	LIFT		1
6	584 39 27-02	PLATE		2
7	539 13 18-97	BELLCRANK		1
8	539 13 18-53	BELLCRANK		1
9	539 11 22-23	STRUT LINKAGE		2
10	539 10 96-93	LIFT CHAIN - 3 LINK		4
11	539 13 15-66	LATCH. TRANSPORT		1
12	539 10 50-59	LANYARD		1
13	539 13 17-91	MOUNT. SPRING		1
14	539 13 20-17	MOUNT. STRUT		2
15	539 13 17-92	TAB. SPRING		1
16	539 11 28-96	J-BOLT		1
17	539 10 26-42	SPRING		1
18	539 13 27-34	SPRING. TORSION		1
19	539 13 18-50	HEIGHT. ADJUST. DECK		1
20	539 13 18-60	PIVOT. LATCH. TRANSPORT		1
21	539 10 48-08	SUPPORT		4
22	539 13 21-82	PIN. 1/2 X 1 1/2. DETENT RING		1
23	819 21 16-16	WASHER		10
24	539 13 28-51	GRIP. TRANSPORT-RELEASE		1
25	539 11 55-01	1/8DIA X 3/4HP COTT		6
26	874 78 05-44	BOLT		4
27	539 10 81-81	HCS 1/2-13 X 1-3/4 GR 8 ZD		2
28	539 99 05-63	SCREW		4
29	539 10 11-75	SCREW		4
30	874 78 06-48	BOLT		1
31	539 99 06-46	HHCS 1/2-13 X 1		1
32	539 10 80-73	BOLT		4
33	539 20 02-82	NUT		2
34	539 13 20-19	NUT. 7/16-14 HEX WHIZ LK		8
35	539 10 25-82	NUT		8
36	539 11 28-99	NUT, 5/16-18, NYLOC		5
37	539 97 69-79	NUT		4
38	873 80 08-00	NUT		4
39	819 14 16-14	WASHER		1
40	539 10 28-43	WASHER		1
41	819 18 22-12	WASHER		2