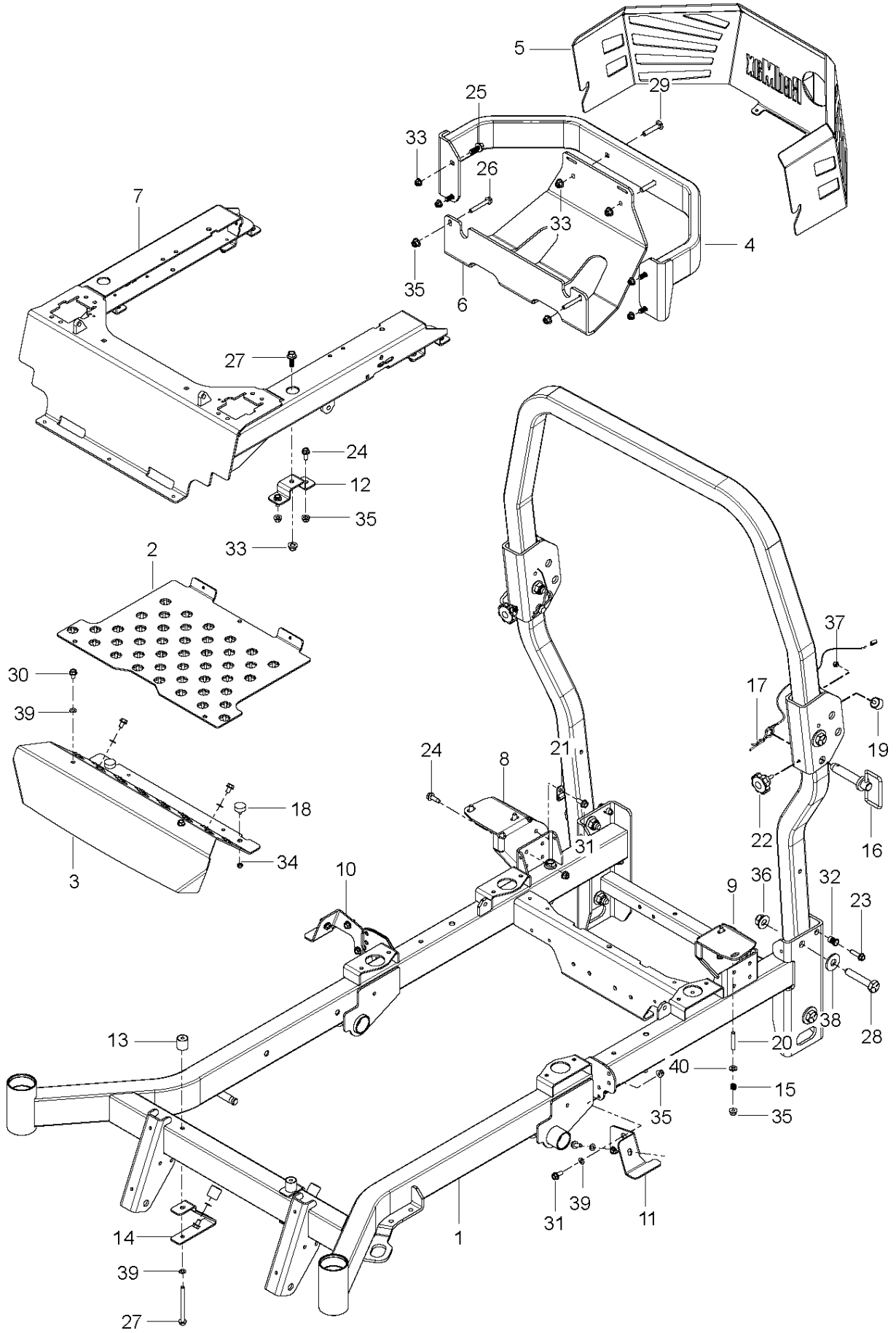




# SPARE PARTS LIST

ZERO TURN: COMMERCIAL

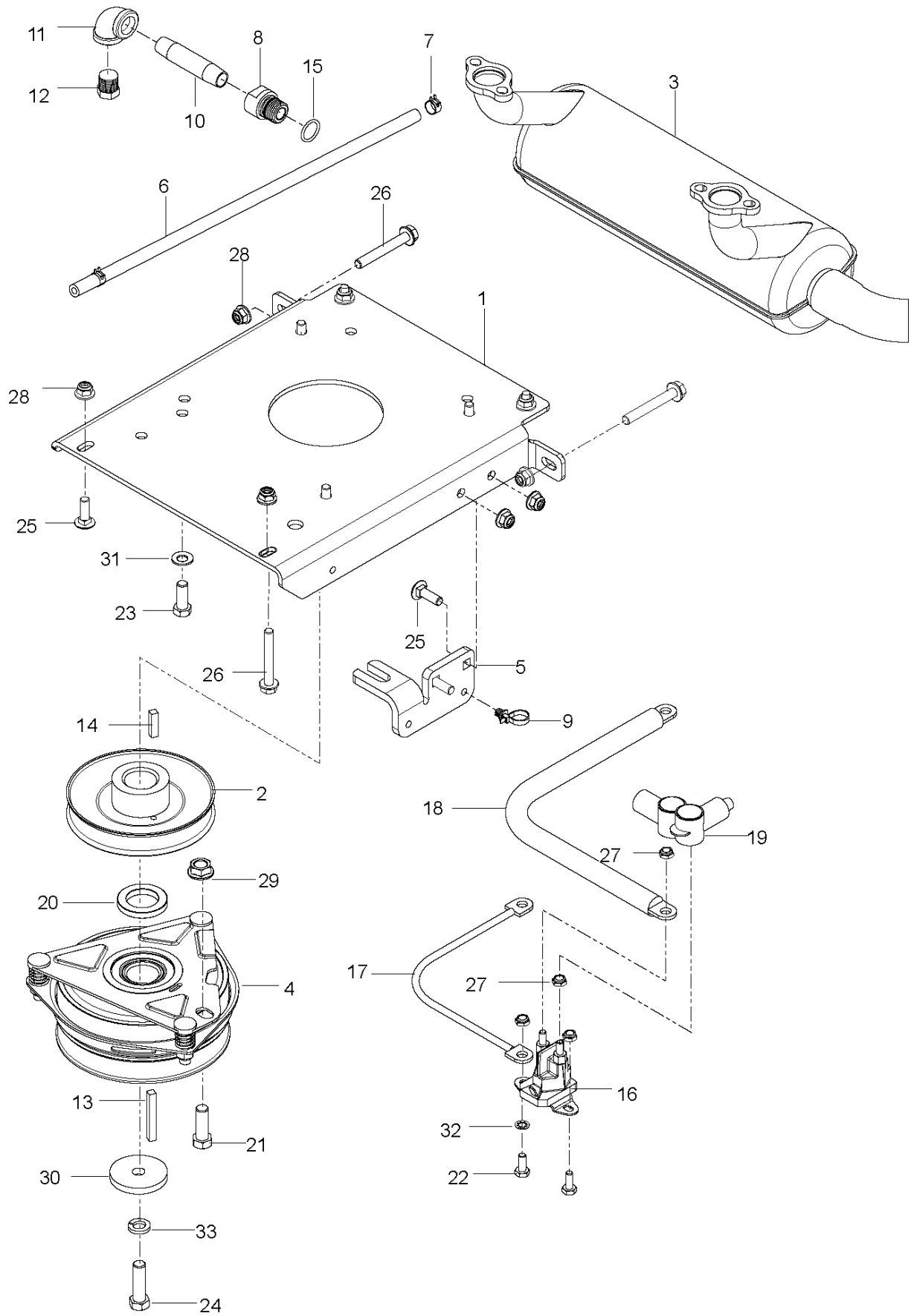
CZT48x, 967671601-00, 2017-09



## FRAME

CZT48x, 967671601-00, 2017-09

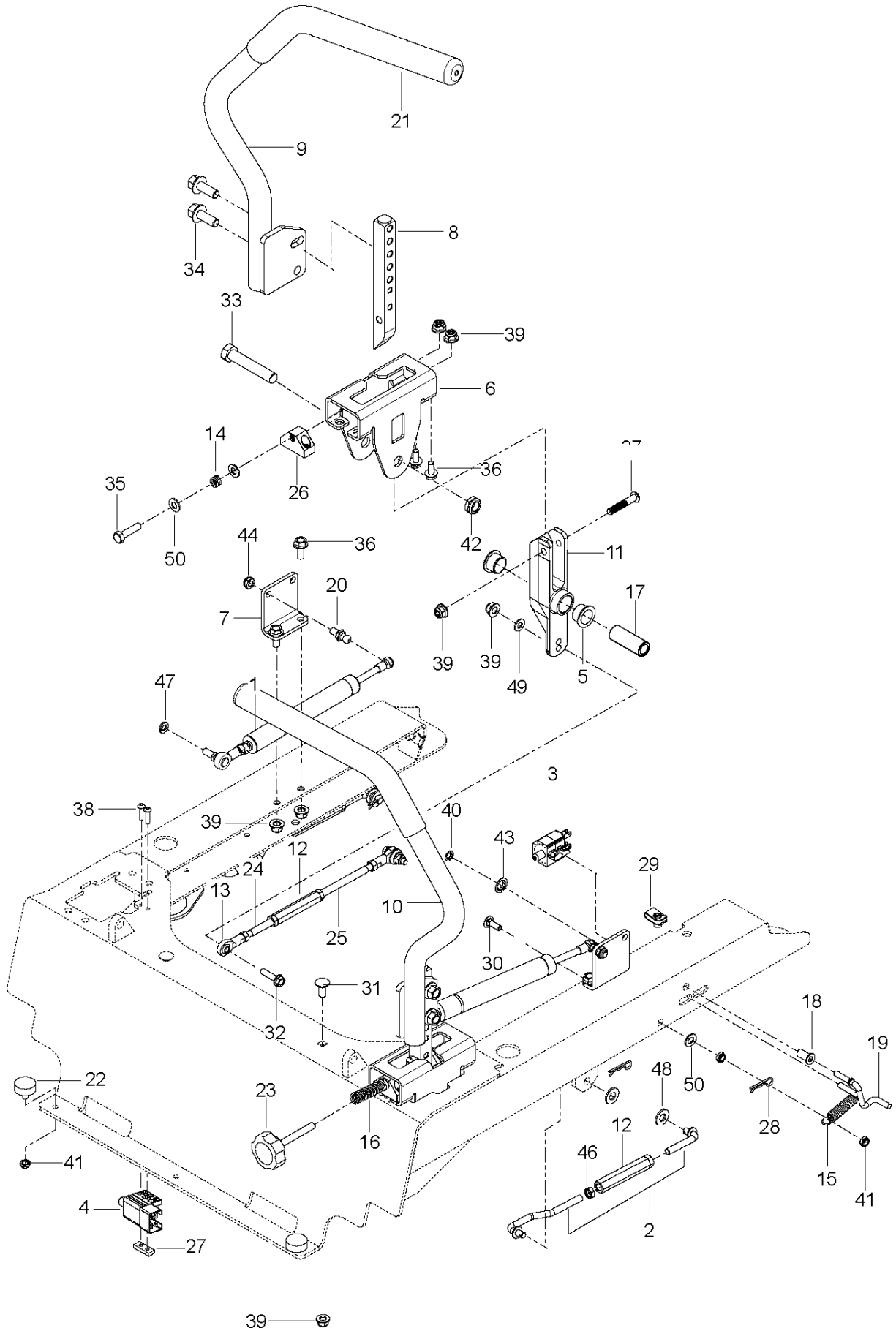
Ref	Part No	Description	Remark	QTY KIT
1	574 48 28-07	FRAME		1
2	574 21 56-05	PLATE		1
3	574 21 57-04	PLATE		1
4	522 67 57-05	BUMPER		1
5	574 29 91-06	GUARD		1
6	574 22 86-04	PLATE		1
7	577 32 77-04	FRAME		1
8	529 27 96-03	MOUNT		1
9	529 27 97-03	MOUNT		1
10	529 27 99-03	MOUNT		1
11	529 28 00-03	MOUNT		1
12	522 84 97-01	MOUNT		4
13	510 08 32-01	MOUNT		4
14	510 04 03-01	BRACKET		2
15	539 10 28-45	SPRING		4
16	591 10 16-01	PIN		2
17	591 10 16-01	PIN		2
18	575 81 15-01	BUMPER		2
19	522 80 14-01	BUMPER		2
20	539 10 25-02	STUD		4
21	539 10 98-67	DOUBLE TUBE CLAMP		1
22	591 34 45-01	KNOB		2
23	525 54 40-01	BOLT		2
24	874 49 05-12	BOLT		14
25	525 61 28-01	SCREW		4
26	574 23 38-01	HHFS		2
27	539 13 17-80	HHFS 5/16-18 X 3 3/4		2
28	580 75 46-01	BOLT		6
29	539 10 01-45	RHSNB 3/8C X 2		2
30	539 99 08-58	SCR5/16-18X1/2 SELFTAP ZN SPEC		6
31	817 49 05-16	SCREW		7
32	539 11 10-28	NUTSERT 5/16-18 THICK GRIP		2
33	521 99 65-01	NUT		8
34	539 10 81-20	NUT		2
35	539 11 28-99	NUT, 5/16-18, NYLOC		16
36	525 82 91-01	NUT		6
37	539 97 69-78	NUT		2
38	539 10 26-53	WASHER		6
39	539 10 96-00	WASH 5/16 DISC SPRING ZD		6
40	819 11 11-16	WASHER		4
	590 87 78-02	ROPS	NOT SHOWN	1



## ENGINE PLATE

CZT48x, 967671601-00, 2017-09

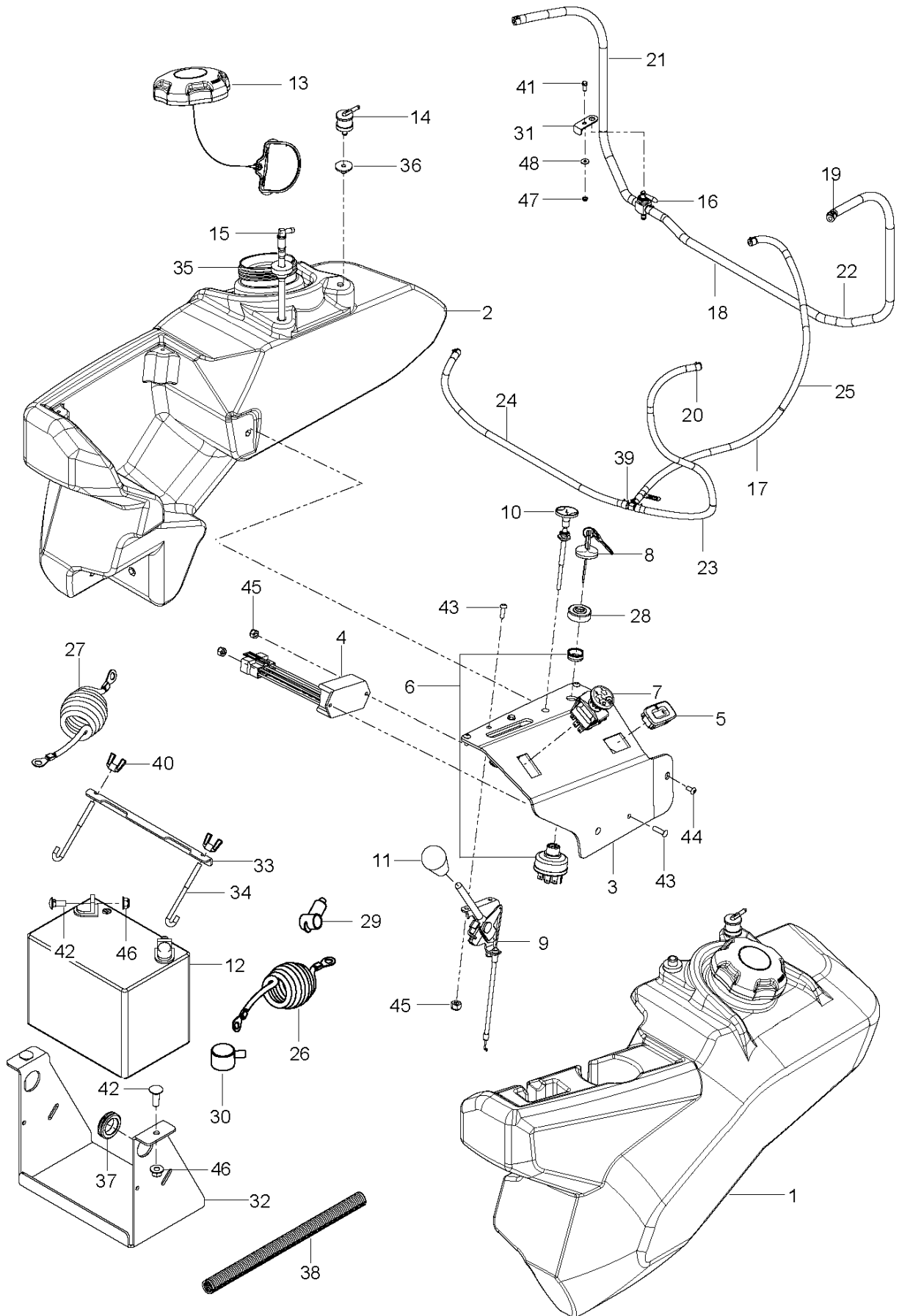
Ref	Part No	Description	Remark	QTY KIT
1	510 00 46-02	PLATE		1
2	510 01 98-01	PULLEY		1
3	525 75 02-01	MUFFLER		1
4	539 11 34-37	CLUTCH, 150 FT/LBS		1
5	522 67 67-02	STOP		1
6	587 04 48-20	HOSE		1
7	532 12 34-87	HOSE CLAMP		2
8	539 11 96-80	ADAPTER OIL DRAIN		1
9	505 28 00-01	TIE WRAP		1
10	539 11 89-11	3/8` PIPE NIPPLE 3`		1
11	539 10 50-72	90DEG.ELBOW 3/8NPT		1
12	522 83 70-01	PLUG		1
13	539 91 02-10	KEY		1
14	539 10 53-08	KEY		1
15	539 10 96-18	O-RING		1
16	539 10 17-14	SOLENOID		1
17	539 10 54-09	CABLE		1
18	539 10 27-57	CABLE		1
19	539 10 27-59	INSULATOR		2
20	525 31 39-01	SPACER		1
21	539 10 48-67	HCS.7/16-14.X.1-1/4.GR.5.ZD		1
22	539 99 00-72	SCREW		2
23	539 99 05-63	SCREW		4
24	581 33 28-01	BOLT		1
25	539 99 02-08	SCREW		4
26	574 23 38-01	HHFS		3
27	539 10 81-20	NUT		5
28	539 11 28-99	NUT, 5/16-18, NYLOC		8
29	539 10 25-82	NUT		1
30	539 12 56-26	BLADE WASHER		1
31	539 10 25-93	WASHER		4
32	539 99 00-53	WASHER		1
33	539 99 02-47	WASHER		1
	525 55 42-01	HARNESS	NOT SHOWN	1
	586 83 97-01	GASKET	NOT SHOWN	2
	574 82 58-01	KIT		1



## STEERING

CZT48x, 967671601-00, 2017-09

Ref	Part No	Description	Remark	QTY	KIT
1	516 02 03-01	DAMPER		2	
2	525 44 79-01	ASSEMBLY		1	12, 46
3	539 11 37-92	SWITCH		1	
4	532 10 95-53	SWITCH		2	
5	539 13 15-18	BEARING. FLANGE		4	
6	586 73 72-02	BRACKET		2	
7	501 74 11-01	BRACKET		2	
8	574 26 94-01	LEVER		2	
9	577 04 24-03	ASSEMBLY		1	
10	577 04 23-03	ASSEMBLY		1	
11	576 14 03-02	LEVER		2	
12	539 10 91-49	TURNBUCKLE, 3/8		4	
13	539 10 25-90	BALL JOINT		4	
14	539 10 28-45	SPRING		1	
15	539 02 00-35	SPRING		1	
16	576 85 03-01	SPRING		1	
17	577 25 24-01	SPACER		2	
18	511 59 49-01	BUSHING		1	
19	511 59 50-01	LINK		1	
20	539 11 06-07	10MM BALL STUD		2	
21	539 13 08-94	GRIP		2	
22	575 81 15-01	BUMPER		2	
23	539 13 17-99	KNOB		1	
24	522 55 92-01	LINKAGE		2	
25	522 84 28-01	LINKAGE		2	
26	581 43 75-01	BLOCK		2	
27	581 22 30-01	PLATE		1	
28	539 97 69-88	PIN RETAINING SCREW		4	
29	539 10 47-63	CLIP		4	
30	872 11 04-06	BOLT		1	
31	539 99 03-16	BOLT		2	
32	525 54 40-01	BOLT		4	
33	874 78 08-44	BOLT		2	
34	525 61 28-01	SCREW		4	
35	874 78 05-20	BOLT		1	
36	874 49 05-12	BOLT		12	
37	576 85 04-02	SCREW		2	
38	574 82 27-01	SCREW		6	
39	539 11 28-99	NUT, 5/16-18, NYLOC		18	
40	539 99 02-23	NUT		4	
41	539 10 81-20	NUT		4	
42	539 10 80-10	NUT, 1/2-13, JAM, NYLOC, GR2		2	
43	539 91 38-47	BOLT RETAINER 3/8		2	
44	873 80 05-00	LOCK NUT		2	
46	539 10 87-32	NUT 3/8-24 HEX JAM ZD		4	
47	539 99 01-87	WASHER		2	
48	819 13 13-16	WASHER		4	
49	539 99 06-92	WASHER		4	
50	819 11 11-16	WASHER		3	

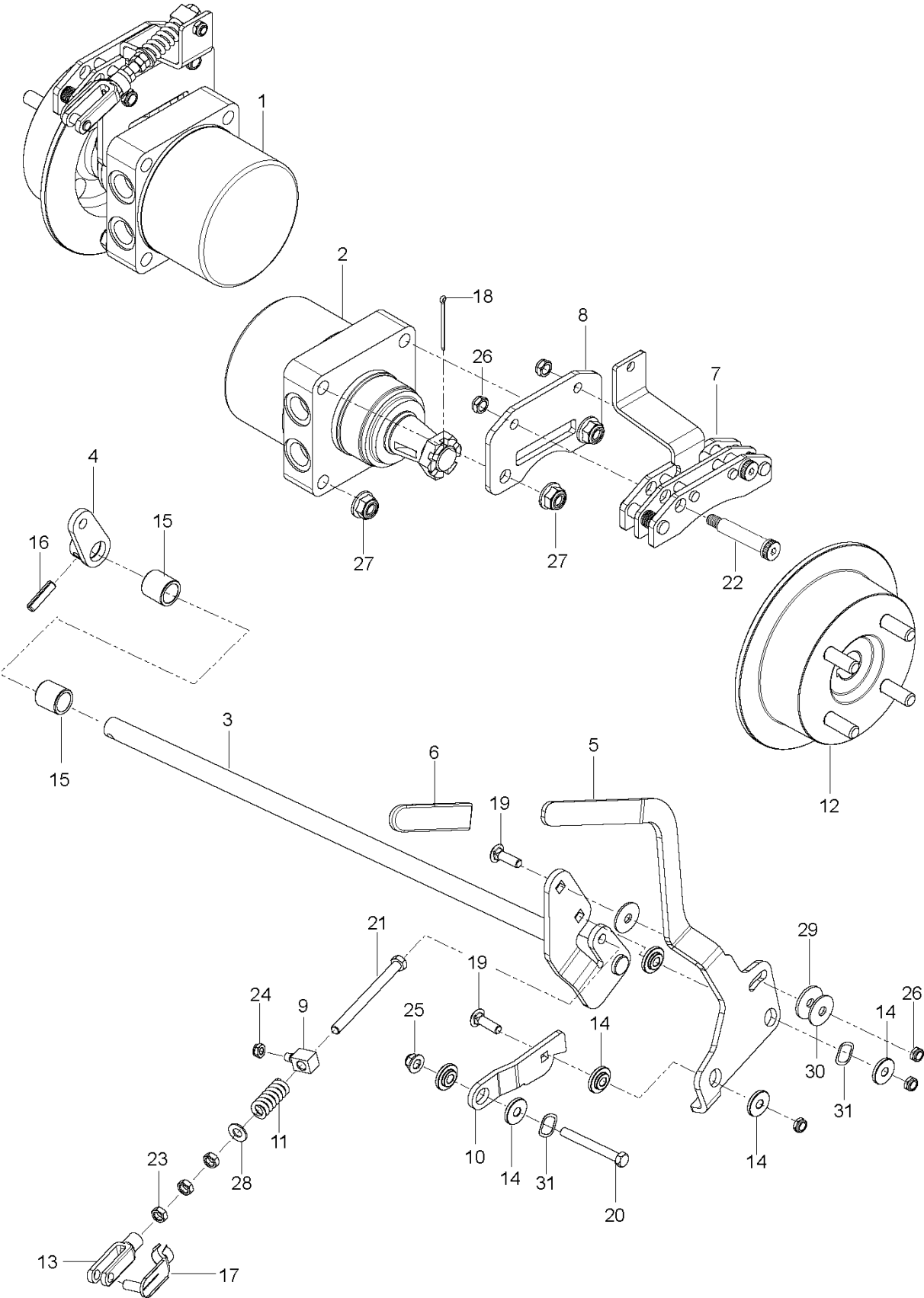




## IGNITION SYSTEM

CZT48x, 967671601-00, 2017-09

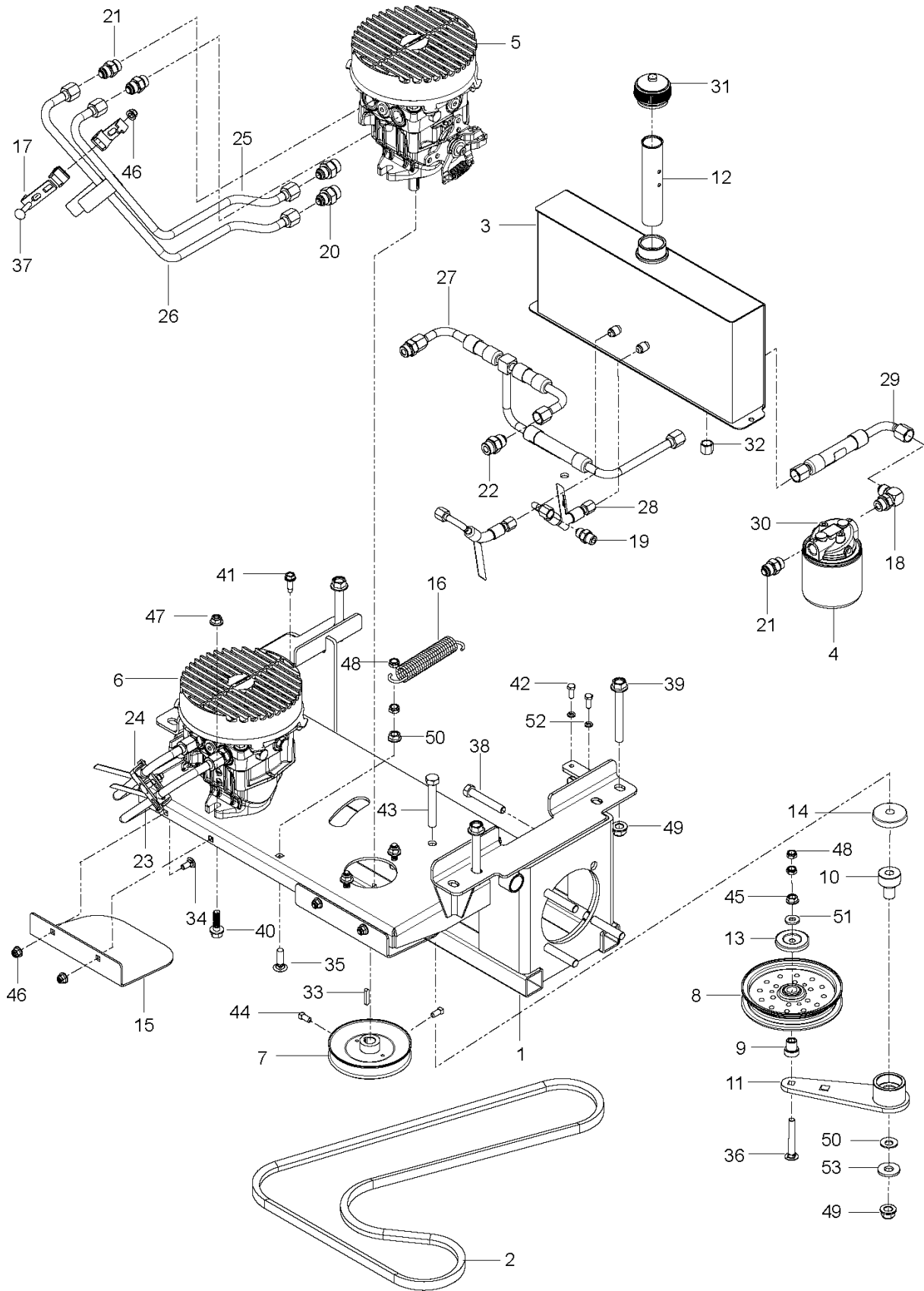
Ref	Part No	Description	Remark	QTY	KIT
1	589 99 73-01	FUEL TANK ASSY		1	13, 14,15, 35, 36
2	590 02 60-01	FUEL TANK ASSY		1	13, 14,15, 35, 36
3	529 28 02-03	PANEL		1	
4	574 51 40-01	TIMER		1	
5	586 16 18-01	HOUR METER		1	
6	574 45 54-01	SWITCH		1	
7	582 10 76-02	SWITCH		1	
8	574 45 55-01	KEY		1	
9	574 20 70-01	CABLE		1	
10	574 20 69-01	CABLE		1	
11	539 13 26-24	KNOB - SHIFT		1	
12	539 10 24-36	BATTERY		1	
13	575 01 81-01	CAP		2	
14	576 61 81-01	TANK VENT		2	
15	525 86 54-01	TUBE ASSY		2	
16	539 10 26-79	FUEL TAP		1	
17	587 59 34-01	HOSE ASSY		1	20, 23, 24, 24,39
18	577 15 05-01	ASSEMBLY		1	16,19, 21, 22
19	539 91 22-22	CLAMP		4	
20	575 43 65-01	CLAMP		6	
21	587 04 48-22	HOSE		1	
22	587 04 48-38	HOSE		1	
23	587 04 45-39	HOSE		1	
24	587 04 45-21	HOSE		1	
25	587 04 45-30	HOSE		1	
26	522 71 87-01	CABLE		1	
27	522 71 07-01	CABLE		1	
28	539 10 31-78	NUT CAP		1	
29	539 10 27-59	INSULATOR		2	
30	579 57 97-01	LOOM		1	
31	587 18 14-04	BRACKET		1	
32	510 02 99-02	BRACKET		1	
33	588 10 72-01	BRACKET		1	
34	510 06 40-01	HOOK		2	
35	539 10 52-45	GROMMET		2	
36	576 61 82-01	GROMMET		2	
37	539 10 59-74	GROMMET		1	
38	579 57 97-01	LOOM		1	
39	574 20 66-02	TEE		1	
40	539 99 09-97	WINGNUT		2	
41	539 99 05-80	SCREW		1	
42	872 14 05-06	BOLT		4	
43	574 82 27-01	SCREW		4	
44	539 11 43-41	SCREW		3	
45	539 97 69-77	NUT		4	
46	539 11 28-99	NUT, 5/16-18, NYLOC		4	
47	539 10 81-20	NUT		1	
48	539 99 05-98	WASHER		1	
	589 67 01-01	HARNESS	NOT SHOWN	1	
	532 40 96-15	RELAY HARNESS.SEALED	NOT SHOWN	2	



## PARKING BRAKE

CZT48x, 967671601-00, 2017-09

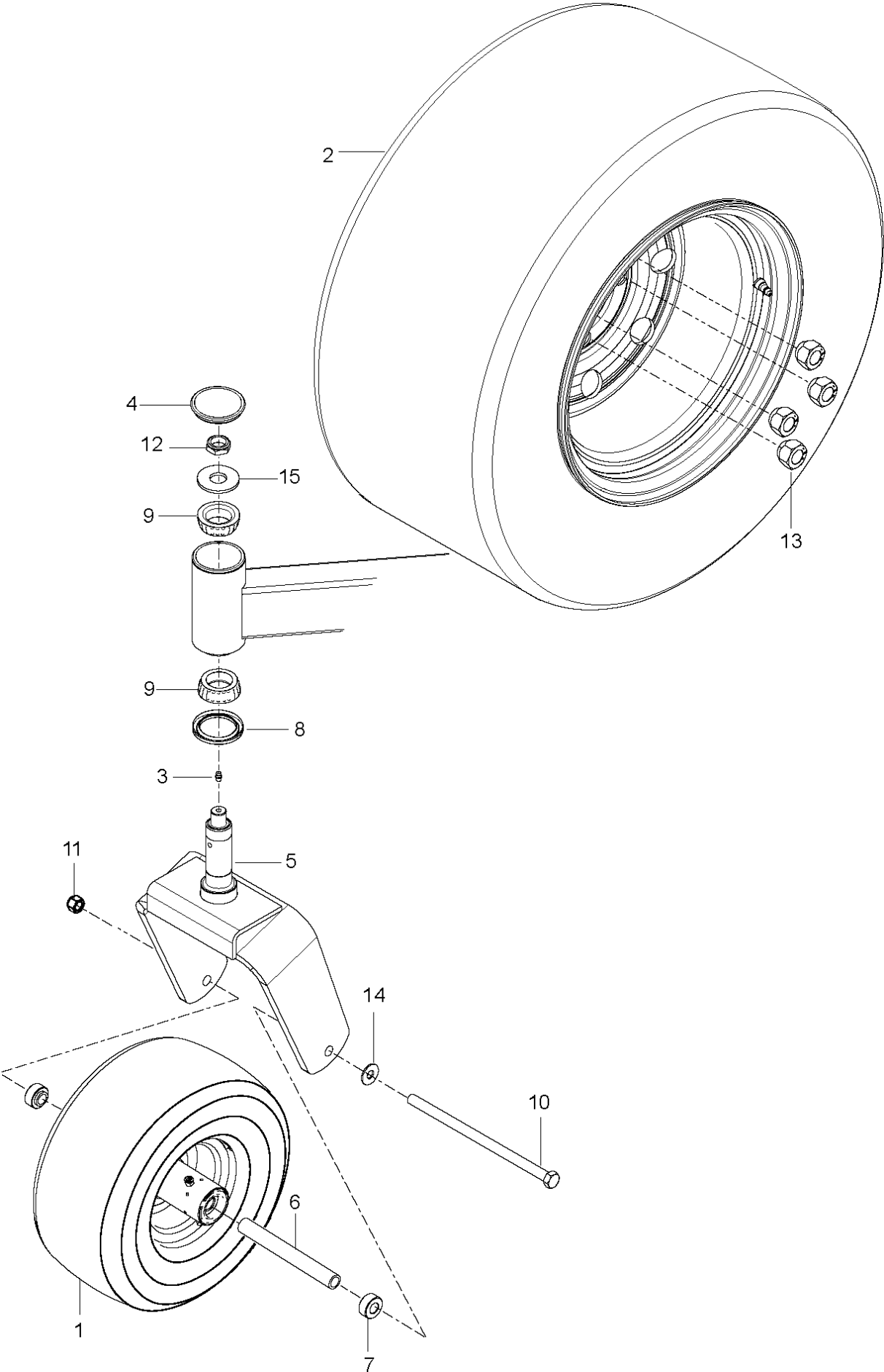
Ref	Part No	Description	Remark	QTY KIT
1	575 22 46-01	MOTOR		1
2	539 11 08-23	TL15 WHEEL MOTOR		1
3	525 85 12-01	SHAFT		1
4	510 02 59-01	ARM		1
5	515 98 00-02	LEVER		1
6	539 97 65-26	HANDLE		1
7	539 13 30-47	CALIPER		2
8	525 85 16-01	PLATE		2
9	525 85 14-01	SWIVEL		1
10	515 98 03-01	LINK		1
11	539 11 39-52	SPRING		1
12	525 84 87-01	HUB		2
13	539 97 74-65	BRACKET		1
14	539 13 21-61	BUSHING. BRAKE		6
15	510 08 92-01	BUSHING		2
16	539 11 06-31	5/16 DIA ROLL PIN		1
17	522 70 59-01	PIN		1
18	539 10 28-89	SPLIT PIN		2
19	872 14 06-10	BOLT		3
20	539 92 34-63	HCS 3/8-16 X 3-1/4 GR5 ZD		1
21	539 10 49-84	SCREW		1
22	516 03 55-01	BOLT		4
23	539 10 87-32	NUT 3/8-24 HEX JAM ZD		3
24	539 11 56-17	5/16-18 THIN PROF NY		1
25	521 99 65-01	NUT		1
26	539 20 02-82	NUT		9
27	521 99 11-01	NUT		8
28	819 13 13-16	WASHER		1
29	525 49 09-01	WASHER		2
30	539 91 20-63	CONE WASHER		1
31	539 13 30-07	WASHER. .825 X 1.087. WAVE		2



## HYDRAULIC PUMP - MOTOR

CZT48x, 967671601-00, 2017-09

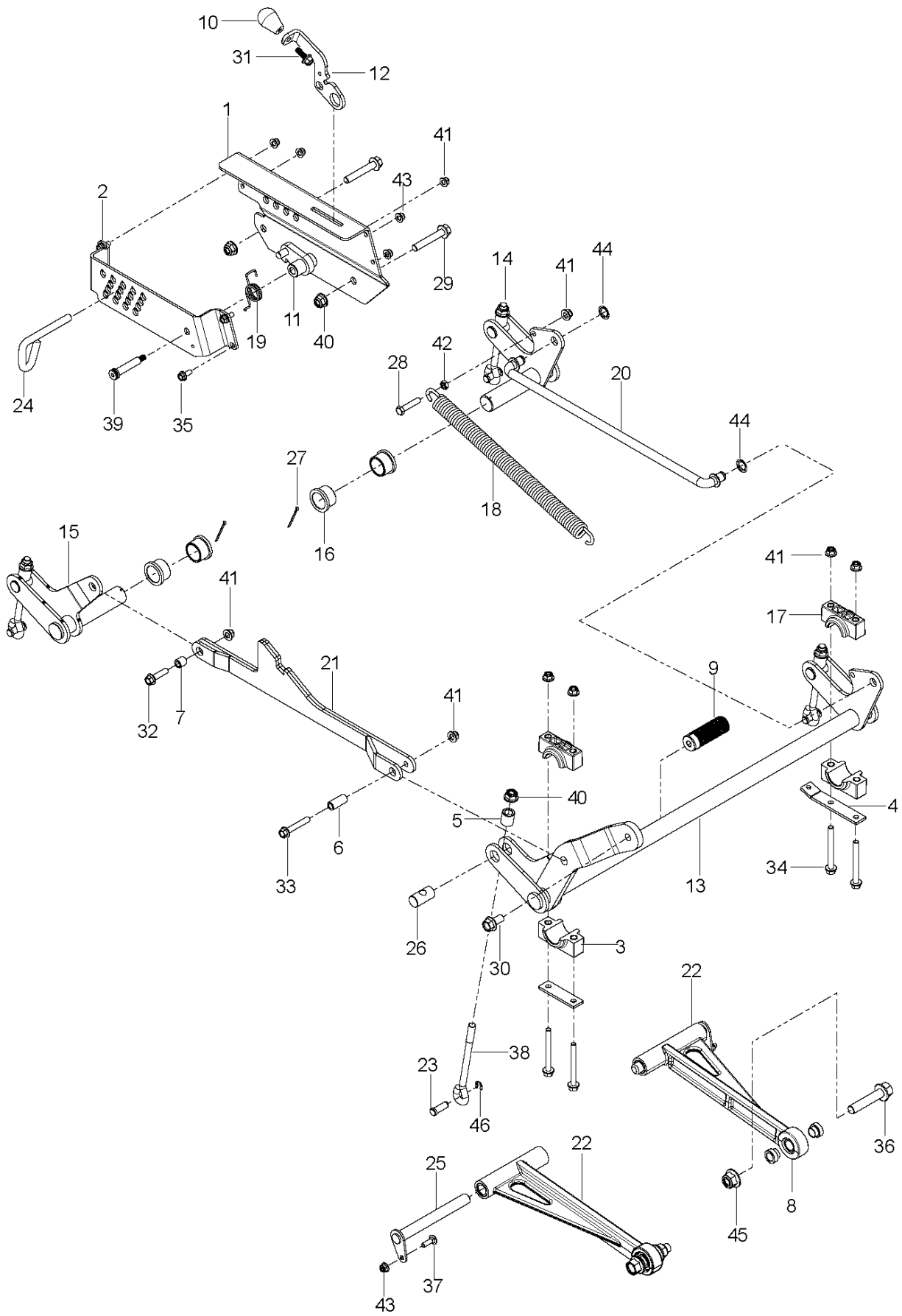
Ref	Part No	Description	Remark	QTY KIT
1	506 00 79-02	FRAME		1
2	573 97 83-01	BELT		1
3	576 03 59-02	RESERVOIR		1
4	522 80 54-01	FILTER		1
5	505 35 10-01	PUMP		1
6	505 35 11-01	PUMP		1
7	510 01 90-01	PULLEY		2
8	510 28 37-02	IDLER		1
9	525 43 56-01	PIVOT		1
10	510 20 63-01	PIVOT		1
11	510 04 16-03	ARM		1
12	522 80 50-01	TUBE		1
13	510 25 45-01	SHIELD		1
14	539 11 46-62	SHIELD, DUST		1
15	574 39 85-02	SHIELD		2
16	577 43 72-01	SPRING		1
17	576 57 77-01	ASSEMBLY		2
18	539 10 12-42	ELBOW		1
19	539 10 33-16	CONNECTION		2
20	539 10 12-39	CONNECTOR		4
21	539 10 12-37	CONNECTION		5
22	539 13 17-48	FITTING		2
23	510 01 01-01	LINE		1
24	510 01 02-01	LINE		1
25	510 01 03-01	LINE		1
26	510 01 04-01	LINE		1
27	510 01 05-01	LINE		1
28	510 01 06-01	LINE		2
29	510 01 07-01	LINE		1
30	575 87 23-01	HEAD		1
31	522 80 53-01	CAP		1
32	539 10 51-68	CAP		1
33	592 72 42-01	KEY		2
34	872 14 05-06	BOLT		4
35	872 14 06-10	BOLT		1
36	872 14 06-22	BOLT		1
37	872 14 05-12	BOLT		1
38	874 78 08-44	BOLT		8
39	525 54 48-01	HHFS		4
40	874 49 06-20	SCREW		4
41	817 49 05-16	SCREW		2
42	539 99 00-72	SCREW		2
43	539 10 34-33	SCREW		1
44	539 10 27-17	SCREW		4
45	539 99 06-13	NUT		1
46	539 11 28-99	NUT, 5/16-18, NYLOC		5
47	521 99 65-01	NUT		4
48	539 20 02-82	NUT		4
49	521 99 11-01	NUT		5
50	539 11 55-28	1/2" CONTACT BELLSPR		1
51	522 02 34-01	WASHER		1
52	539 99 00-52	WASHER		2
53	819 18 22-12	WASHER		1



## WHEELS &amp; TIRES

CZT48x, 967671601-00, 2017-09

Ref	Part No	Description	Remark	QTY KIT
1	510 15 46-02	TIRE		2
2	591 09 18-01	TIRE		2
3	539 10 14-74	NIPPLE		2
4	510 03 40-01	CAP		2
5	525 61 19-05	FORK		2
6	590 70 49-01	SPACER		2
7	590 69 07-01	SPACER		4
8	510 03 43-01	SEAL		2
9	510 03 44-03	BEARING		4
10	539 10 55-17	BOLT		2
11	521 99 11-01	NUT		2
12	522 84 26-01	NUT		2
13	587 65 39-02	NUT		8
14	539 99 02-50	WASHER		4
15	574 82 47-01	WASHER		2

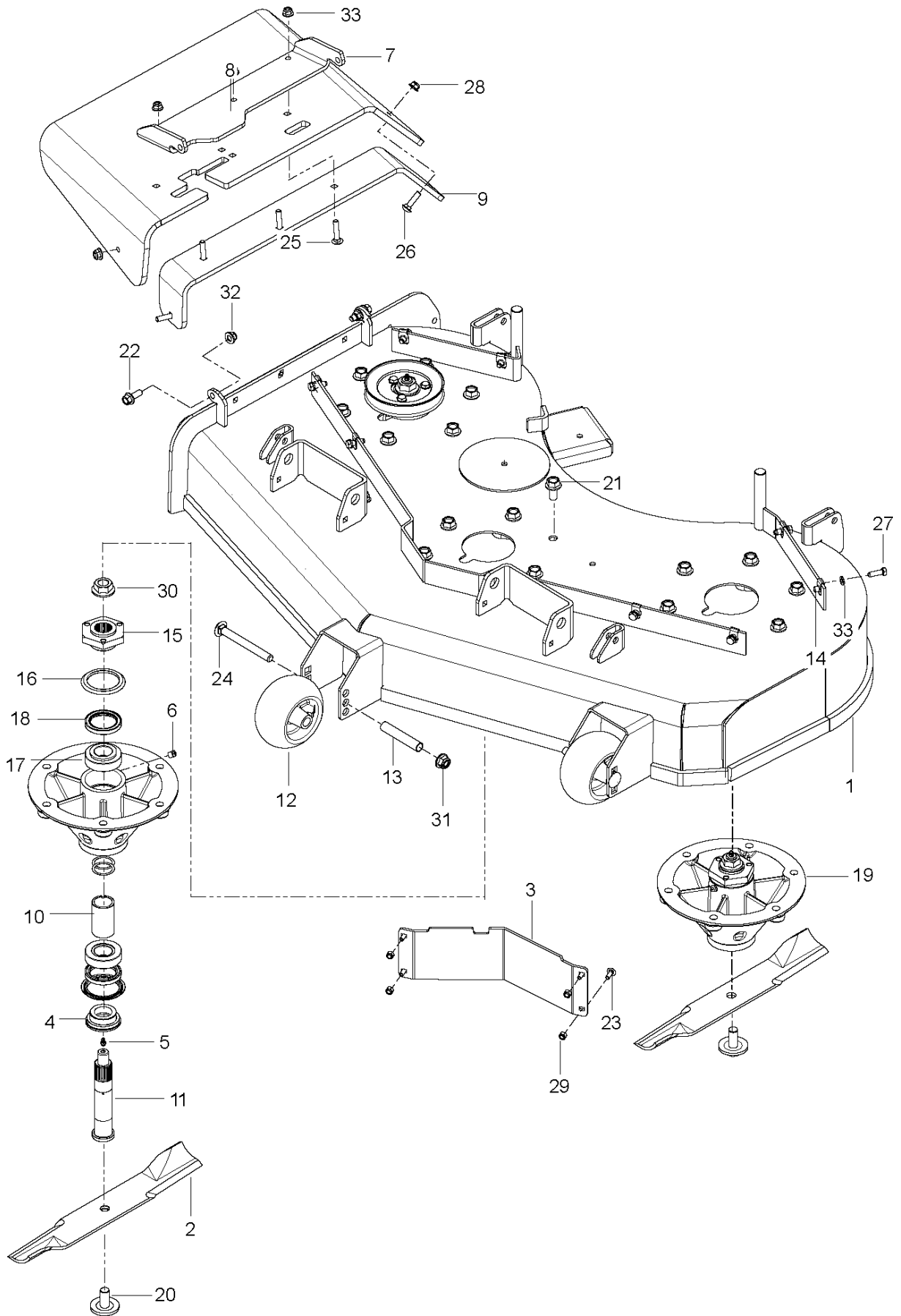




## MOWER LIFT / DECK LIFT

CZT48x, 967671601-00, 2017-09

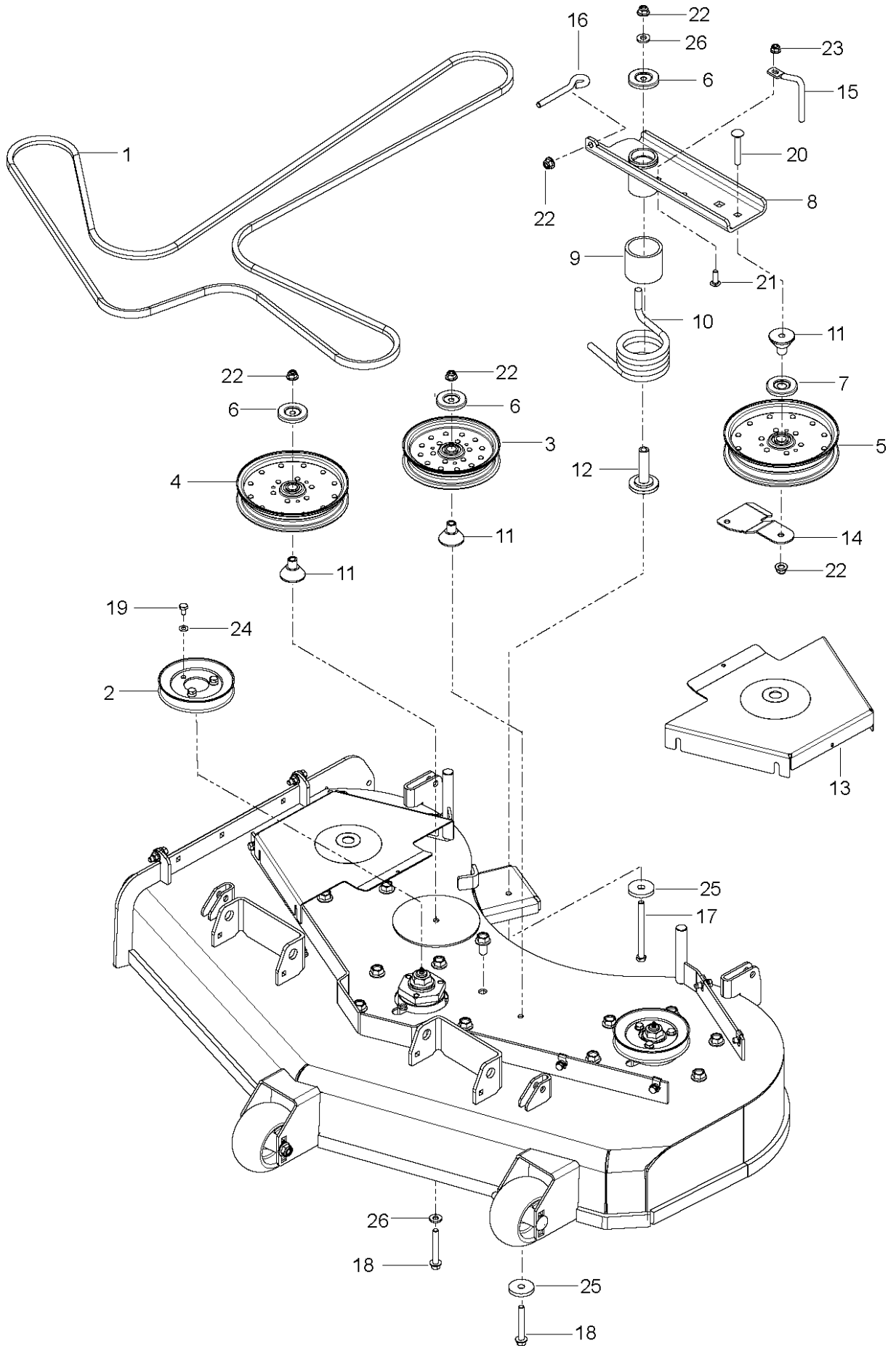
Ref	Part No	Description	Remark	QTY KIT
1	576 48 00-03	PLATE		1
2	576 48 01-03	PLATE		1
3	525 82 22-01	PLATE		1
4	576 64 67-01	PLATE		1
5	576 48 58-01	SPACER		4
6	576 62 31-01	SPACER		1
7	576 62 30-01	SPACER		1
8	510 36 25-01	SPACER		4
9	510 40 83-01	PEDAL		1
10	539 13 26-24	KNOB - SHIFT		1
11	510 40 68-01	LATCH		1
12	576 63 89-01	LEVER		1
13	576 47 92-01	SHAFT		1
14	576 47 99-01	SHAFT		1
15	576 47 94-01	SHAFT		1
16	510 08 94-01	BUSHING		4
17	510 02 39-02	BLOCK		4
18	576 67 66-01	SPRING		1
19	510 37 66-01	SPRING		1
20	510 08 98-01	ROD		1
21	576 62 26-01	WELDMENT		1
22	510 10 65-01	ASSEMBLY		2
23	510 09 01-01	PIN		4
24	510 01 65-01	PIN		1
25	515 98 82-01	PIN		2
26	576 48 56-01	PEN		4
27	539 10 28-89	SPLIT PIN		2
28	539 99 07-30	SCREW		1
29	874 49 08-48	SCREW		2
30	574 21 06-01	SCREW		1
31	525 61 28-01	SCREW		1
32	576 62 16-01	SCREW		1
33	874 49 06-36	SCREW		1
34	874 49 06-52	SCREW		4
35	874 49 05-12	BOLT		4
36	874 45 10-48	SCREW		2
37	539 99 02-08	SCREW		2
38	576 47 90-01	EYEBOLT		4
39	516 03 55-01	BOLT		1
40	521 99 11-01	NUT		6
41	521 99 65-01	NUT		8
42	539 10 93-32	NUT 3/8-16 HEX JAM ZD		1
43	539 11 28-99	NUT, 5/16-18, NYLOC		6
44	539 10 93-04	NUT 5/8 PUSH		2
45	525 82 91-01	NUT		2
46	522 70 52-01	RING		4



## MOWER DECK / CUTTING DECK

CZT48x, 967671601-00, 2017-09

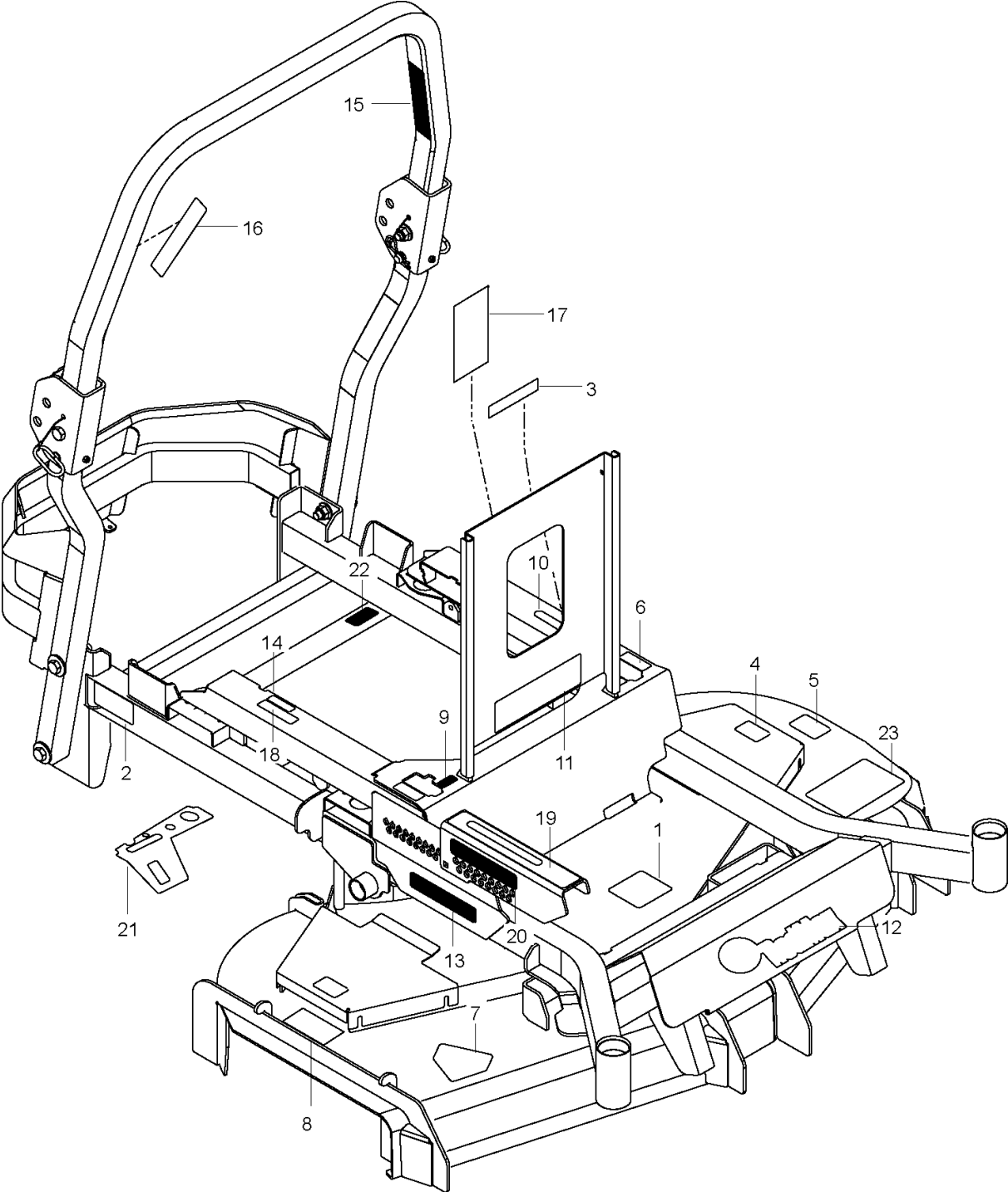
Ref	Part No	Description	Remark	QTY KIT
1	588 12 76-07	DECK		1
2	581 05 55-01	BLADE		3
3	510 43 75-02	BAFFLE		1
4	580 94 25-01	CARRIER		3
5	539 97 69-98	NIPPLE		3
6	539 97 73-26	ZERK		3
7	574 19 70-02	BRACKET		1
8	525 48 58-01	CHUTE		1
9	525 48 60-02	BRACKET		1
10	580 94 23-01	SPACER		3
11	580 94 21-01	SHAFT		3
12	574 16 96-01	ROLLER		2
13	574 19 64-01	TUBE		2
14	539 10 47-63	CLIP		8
15	580 94 22-01	HUB		3
16	580 94 27-01	V-RING		6
17	580 94 18-01	BEARING		6
18	580 94 26-01	SEAL		6
19	580 94 33-05	SPINDLE		3
20	539 11 90-07	SCREW		3
21	574 21 06-01	SCREW		18
22	525 61 28-01	SCREW		2
23	539 11 56-20	1/4-20X3/4 CARR BLT		4
24	510 02 23-01	SCREW		2
25	539 10 29-33	RHSNB 5/16-18 X 1-1/2 GR 5 ZD		3
26	539 10 04-72	SCREW		2
27	539 99 02-09	SCREW		8
28	539 11 28-99	NUT, 5/16-18, NYLOC		5
29	539 97 69-78	NUT		4
30	539 13 06-53	NUT - FLANGE 3/4-16		3
31	521 99 11-01	NUT		2
32	521 99 65-01	NUT		2
33	539 99 01-87	WASHER		8
	574 75 42-01	KIT		1



## BELT GUARD &amp; PULLEY

CZT48x, 967671601-00, 2017-09

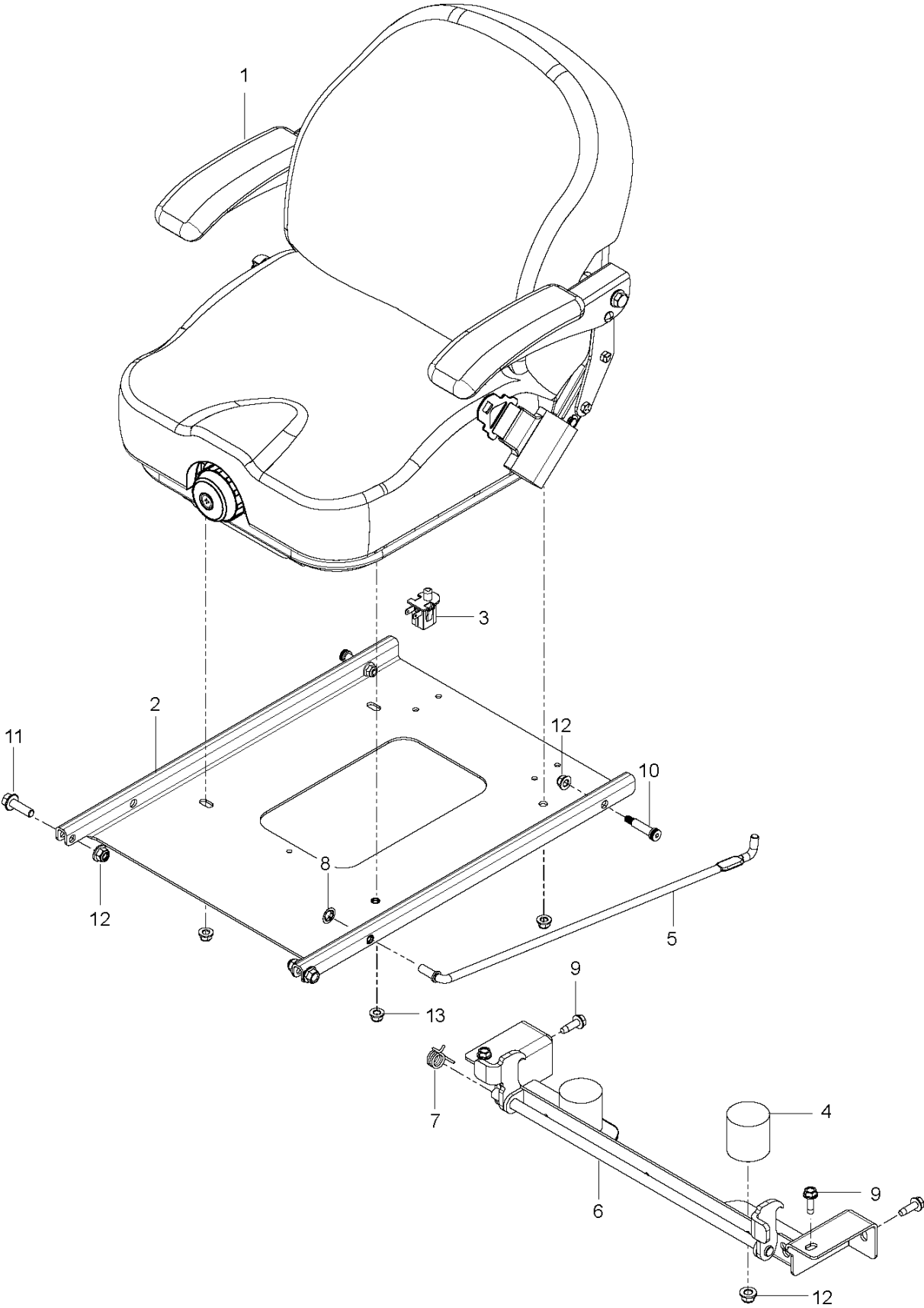
Ref	Part No	Description	Remark	QTY KIT
1	575 65 84-06	BELT		1
2	539 13 06-45	PULLEY		3
3	525 59 82-01	PULLEY		1
4	510 01 96-01	PULLEY		1
5	510 01 51-01	PULLEY		1
6	510 25 45-01	SHIELD		3
7	510 26 22-01	SHIELD		1
8	525 46 44-03	WELDMENT		1
9	525 46 56-01	SPACER		1
10	525 31 09-01	SPRING		1
11	510 26 37-01	BEARING		3
12	522 72 97-01	BEARING		1
13	510 13 12-05	SHIELD		2
14	574 26 21-02	GUIDE		1
15	574 26 22-01	KEEPER		1
16	574 20 20-01	EYEBOLT		1
17	539 10 16-86	SCREW		1
18	874 49 06-44	BOLT		2
19	539 13 03-15	HCS		9
20	539 12 81-01	SCREW		1
21	539 10 72-71	SCREW		1
22	521 99 65-01	NUT		5
23	539 11 28-99	NUT, 5/16-18, NYLOC		1
24	539 10 96-00	WASH 5/16 DISC SPRING ZD		9
25	539 10 65-04	WASHER		2
26	522 02 34-01	WASHER		2



## DECALS

CZT48x, 967671601-00, 2017-09

Ref	Part No	Description	Remark	QTY KIT
1	574 43 73-01	DECAL	BELT ROUTE	1
2	539 10 57-44	DECAL	BELT DRIVE WARNING	1
3	539 10 57-45	DECAL	BATTERY WARNING	1
4	581 72 43-01	DECAL	NO STEP	2
5	591 07 81-01	DECAL	48	1
6	587 60 90-01	DECAL	MOTION CONTROL	2
7	584 90 46-01	DECAL	BLADE WARNING	1
8	581 72 44-01	DECAL	DEFLECTOR	1
9	501 26 12-01	DECAL	TRACKING	2
10	501 26 13-01	DECAL	PARK BRAKE	1
11	590 48 55-01	DECAL	WARNING	1
12	590 79 91-01	DECAL	LOGO	1
13	591 07 98-01	DECAL	CZT48X	2
14	590 79 20-01	DECAL	FUSE	1
15	574 56 90-06	DECAL	ROPS	1
16	574 56 90-02	DECAL	ROPS WARNING	1
17	574 82 59-01	DECAL	SERVICE	1
18	532 42 41-02	DECAL	SPARK ARRESTOR	1
19	590 79 21-01	DECAL	RELEASE LEVER	1
20	590 79 22-01	DECAL	HEIGHT	1
21	590 80 11-01	DECAL	CONSOLE	1
22	590 80 10-01	DECAL	FUEL	1
23	539 12 13-22	FOOT PAD		1





## SEAT

CZT48x, 967671601-00, 2017-09

Ref	Part No	Description	Remark	QTY KIT
1	590 89 98-01	SEAT		1
2	510 03 93-02	PAN		1
3	532 42 10-62	SWITCH		1
4	510 28 38-01	BUMPER		2
5	510 06 41-01	ROD		1
6	585 85 74-02	BRACKET		1
7	520 28 31-01	SPRING		1
8	539 91 38-47	BOLT RETAINER 3/8		2
9	539 11 32-26	BLT 5/16-18 X 1 THRD FORM ZD		4
10	515 99 06-01	BOLT		2
11	525 83 42-01	HHFS		2
12	521 99 65-01	NUT		6
13	539 11 28-99	NUT, 5/16-18, NYLOC		4