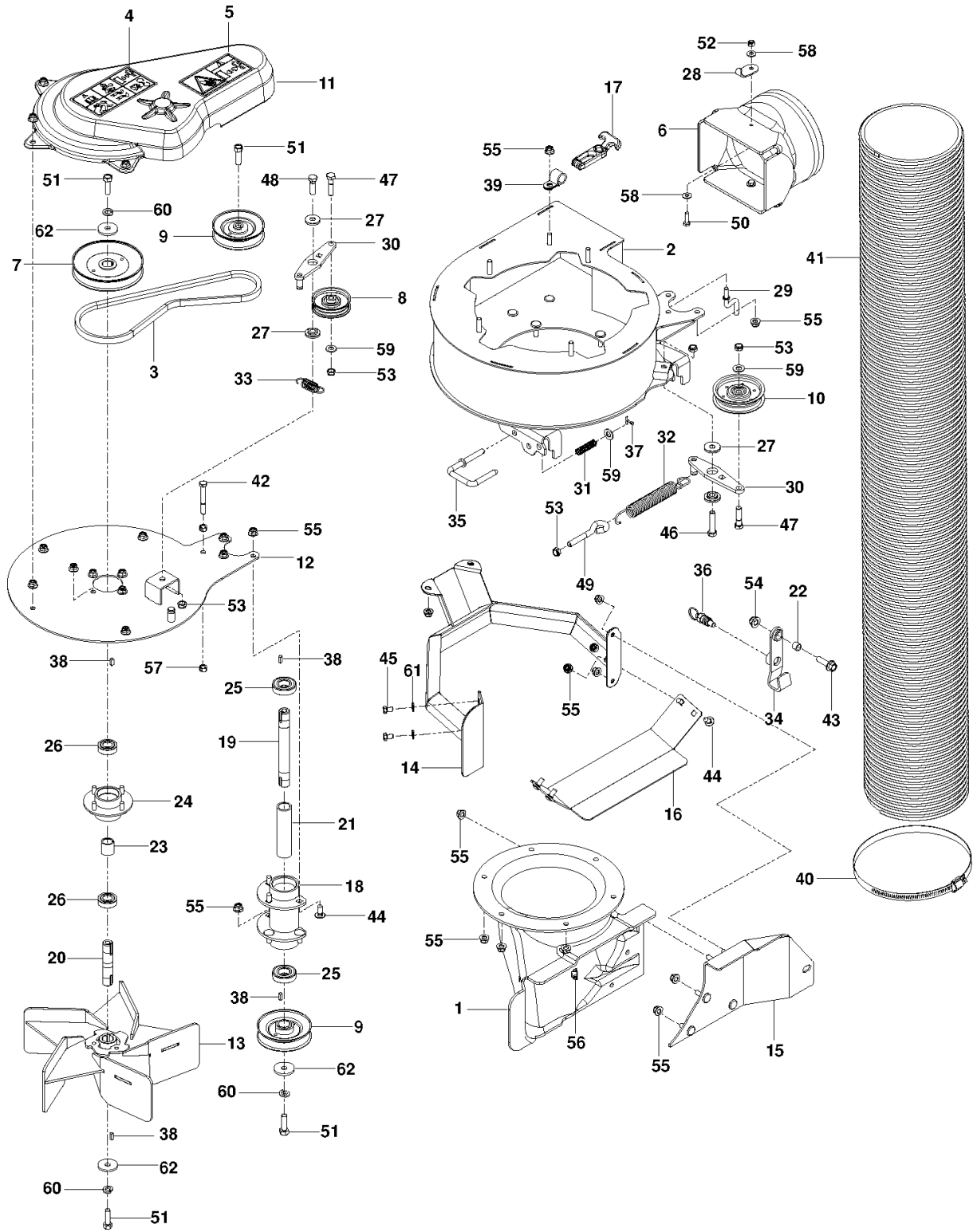




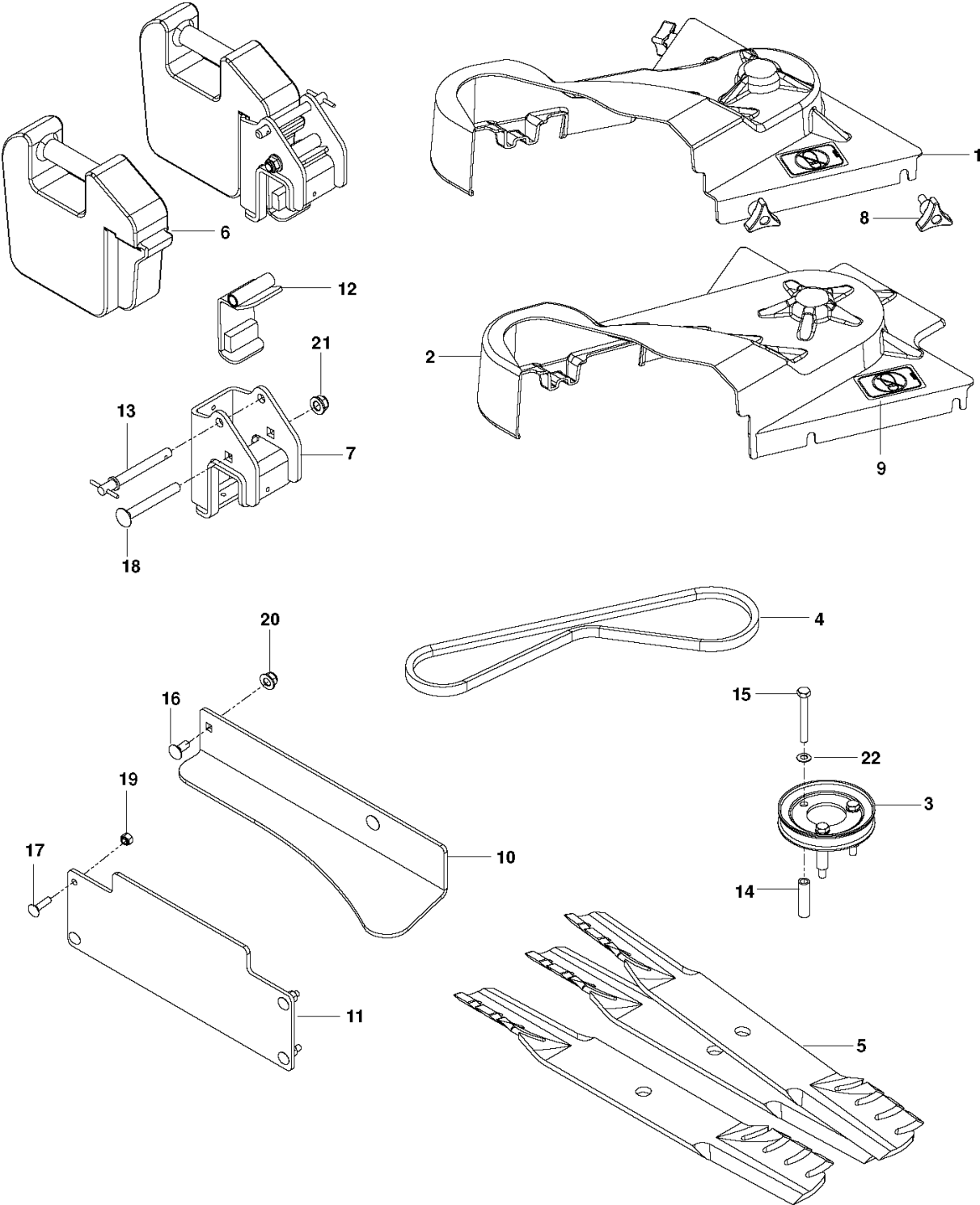
# SPARE PARTS LIST

ACCESSORIES AND TOOLS

COLLECTION SYSTEM, 967322601,  
2014-06



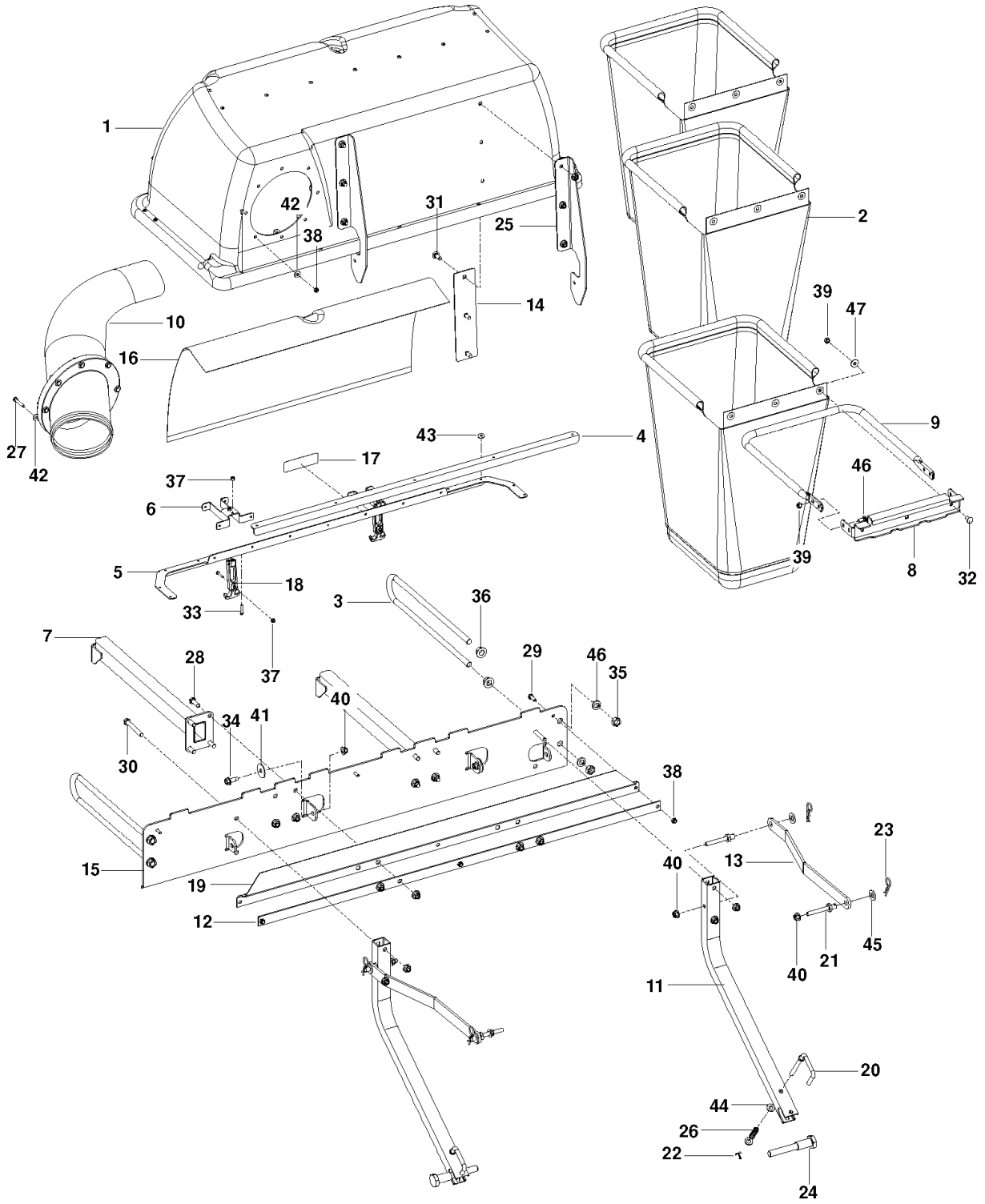
Ref	Part No	Description	Remark	QTY KIT
1	522 59 33-01	HOUSING		1
2	585 85 60-02	HOUSING		1
3	539 10 13-86	BELT-TRANS		1
4	539 10 57-85	DECAL		1
5	539 10 67-41	DECAL		1
6	585 23 68-02	HOSE CONNECTOR		1
7	539 13 03-24	PULLEY		1
8	539 10 67-21	PULLEY		1
9	522 59 46-01	PULLEY		2
10	579 60 46-01	PULLEY		1
11	585 37 38-01	SHIELD		1
12	585 37 46-02	PLATE		1
13	585 58 78-01	IMPELLER		1
14	585 37 57-02	GUARD		1
15	585 37 62-02	BRACKET		1
16	585 37 64-02	SKID PLATE		1
17	586 18 47-01	LATCH		2
18	522 59 50-01	WELDMENT		1
19	585 37 54-01	SHAFT		1
20	585 37 56-01	SHAFT		1
21	585 37 55-01	SPACER		1
22	579 61 33-01	SPACER		1
23	585 37 53-01	SPACER		1
24	585 37 49-01	HUB		1
25	539 13 02-96	BEARING		2
26	585 37 52-01	BEARING		2
27	539 13 21-61	BUSHING. BRAKE		4
28	586 08 23-01	KEEPER		2
29	522 59 52-01	KEEPER		1
30	522 59 48-02	WELDMENT		2
31	525 81 60-01	SPRING		1
32	532 19 61-05	SPRING		1
33	522 59 51-01	SPRING		1
34	585 37 65-01	LATCH		1
35	586 08 22-01	PEN		2
36	585 37 68-01	SPRING PIN		1
37	876 02 04-12	SPLIT PIN		2
38	539 11 56-67	KEY 3/16 X .50		4
39	539 10 26-85	CLAMP		2
40	574 38 66-01	CLAMP		1
41	578 25 79-01	HOSE		1
42	539 10 83-96	HCS 5/16-18X2-1/2 TPBLT GR5 ZD		1
43	525 83 42-01	HHFS		1
44	872 14 05-06	BOLT		9
45	874780508	TBD		2
46	539 97 69-49	BOLT		1
47	874 78 06-24	BOLT		2
48	874 78 06-20	BOLT		1
49	539 10 74-84	EYEBOLT		1
50	539 99 06-43	HCS 1/4-20X7/8 GR5		2
51	532 85 08-57	BOLT		4
52	539 97 69-78	NUT		2
53	539 20 02-82	NUT		5
54	521 99 65-01	NUT		1
55	539 11 28-99	NUT, 5/16-18, NYLOC		37
56	539 13 03-13	NUT. 5/16-18 TEE - DROP SHIP		2
57	539 99 01-84	NUT		2
58	819 09 10-16	WASHER		4
59	819 13 13-16	WASHER		3
60	810 03 06-00	WASHER		4
61	819 11 11-16	WASHER		2
62	532 14 02-96	WASHER		4



## GUARDS

COLLECTION SYSTEM, 967322601, 2014-06

Ref	Part No	Description	Remark	QTY KIT
1	522 59 58-02	SHIELD	54"	1
2	522 59 58-01	SHIELD	60"	1
3	522 59 45-02	PULLEY	54"	1
	522 59 45-01	PULLEY	60"	1
4	539 10 04-39	BELT	54"	1
	574 21 61-01	BELT	60"	1
5	522 93 66-01	BLADE	54"	3
	525 52 59-01	BLADE	60"	3
6	539 09 25-31	FRONT WEIGHT CAST V8ZZ/ZRT/V26		2
7	575 50 98-01	BRACKET		1
8	539 10 44-11	KNOB		3
9	539 10 57-43	DECAL		1
10	575 59 41-02	BAFFLE		1
11	575 59 36-02	BAFFLE		1
12	575 50 95-01	LATCH		1
13	575 50 99-01	PEN		1
14	573 98 27-01	SPACER		3
15	539 99 10-46	SCREW		3
16	539 99 03-16	BOLT		2
17	539 10 98-00	BOLT		4
18	539 10 84-84	RHSNB 1/2-13 X 4 GR 5 ZD		1
19	539 97 69-78	NUT		4
20	539 11 28-99	NUT, 5/16-18, NYLOC		2
21	521 99 11-01	NUT		1
22	539 10 96-00	WASH 5/16 DISC SPRING ZD		3



## BAGGER

COLLECTION SYSTEM, 967322601, 2014-06

Ref	Part No	Description	Remark	QTY KIT
1	539 11 11-72	HOOD		1
2	539 11 13-00	BAG, SMALL		3
3	539 11 11-58	SUPPORT, OUTER		2
4	575 48 68-02	SUPPORT		1
5	539 11 11-74	HOOD SUPPORT		1
6	539 11 11-75	SUPPORT, DRAW LATCH		2
7	539 11 11-62	SUPPORT ARM WELDMENT		2
8	575 46 77-02	HANGER		3
9	539 11 11-66	TUB, BAG FRAME		3
10	539 11 11-82	INLET		1
11	525 44 45-02	TUBE		2
12	539 11 11-71	SEAL STRAP		1
13	525 44 49-02	STRAP		2
14	539 11 11-81	MOUNT PLATE		2
15	525 44 47-02	PLATE		1
16	539 11 11-83	MESH, POLY DIAMOND		1
17	539 11 12-60	DECAL		1
18	539 20 04-78	DRAW LATCH, FLEXIBLE T-HANDLE		2
19	539 11 11-67	SEAL, RUBBER		1
20	525 81 59-01	PEN		2
21	525 44 50-01	PEN		4
22	876 02 04-12	SPLIT PIN		2
23	539 97 69-89	SPLIT PIN		5
24	525 44 53-01	BOLT		2
25	525 44 54-02	BRACKET		2
26	525 81 60-01	SPRING		2
27	539 99 10-03	BOLT		8
28	539 99 05-63	SCREW		8
29	539 99 05-80	SCREW		3
30	539 99 06-29	SCREW		4
31	539 99 06-45	RHSNB 3/8C X 1		6
32	539 99 03-16	BOLT		21
33	539 11 11-86	SCR, #10-24 X 1-1/8, MACH		6
34	539 10 74-76	BOLT		2
35	539 99 06-25	NUT		4
36	539 11 11-87	NUT, 1/2-13 HEX WHIZLK GR5 ZD		4
37	539 97 69-77	NUT		6
38	539 97 69-78	NUT		11
39	539 99 07-17	NUT		21
40	521 99 65-01	NUT		24
41	539 10 29-98	WASHER		2
42	539 99 05-98	WASHER		16
43	539 11 00-33	WASHER		8
44	539 99 01-22	WASHER		4
45	539 99 02-50	WASHER		4
46	539 99 02-54	WASHER		4
47	539 99 06-92	WASHER		9