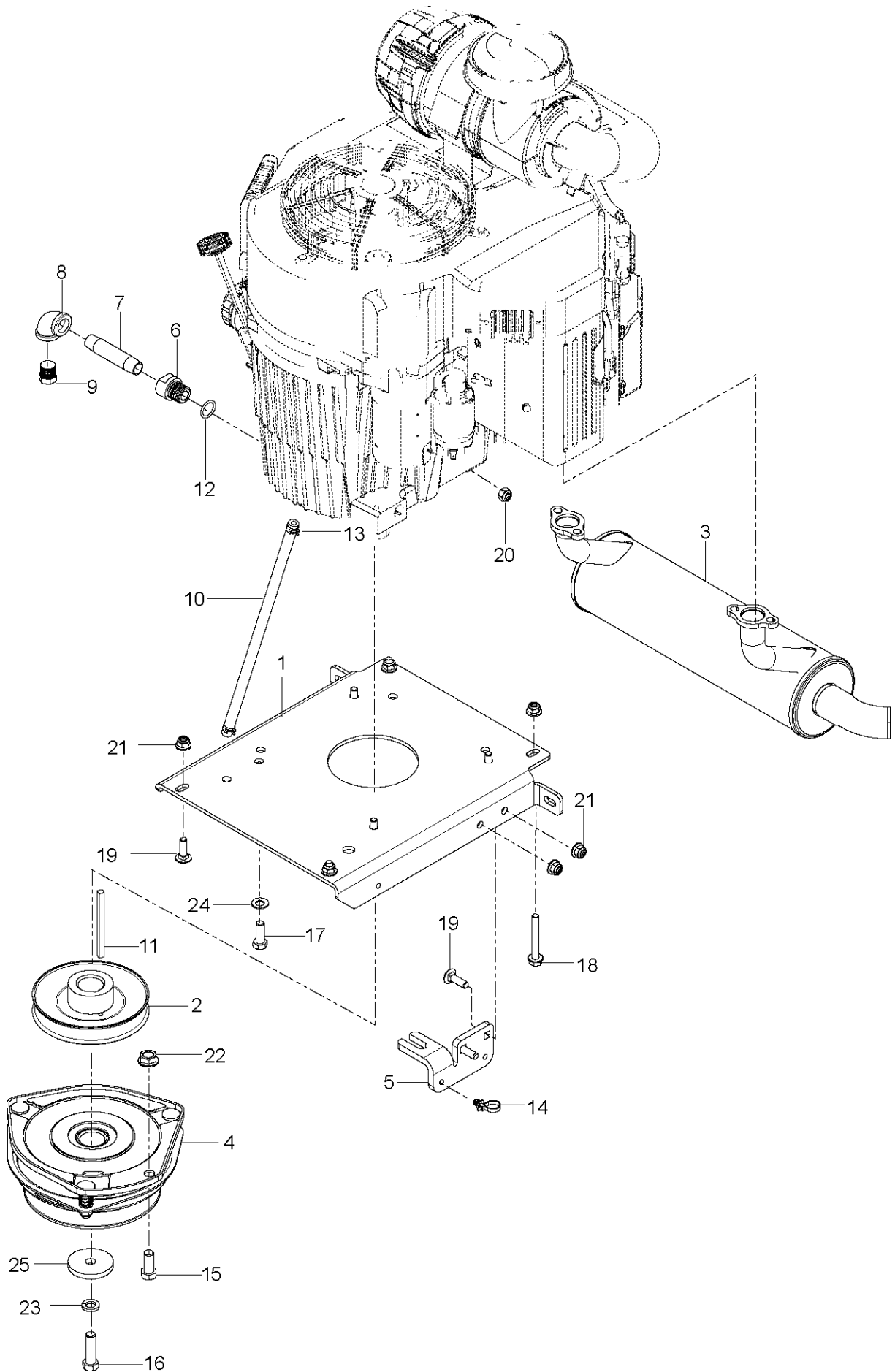




SPARE PARTS LIST

ZERO TURN: COMMERCIAL

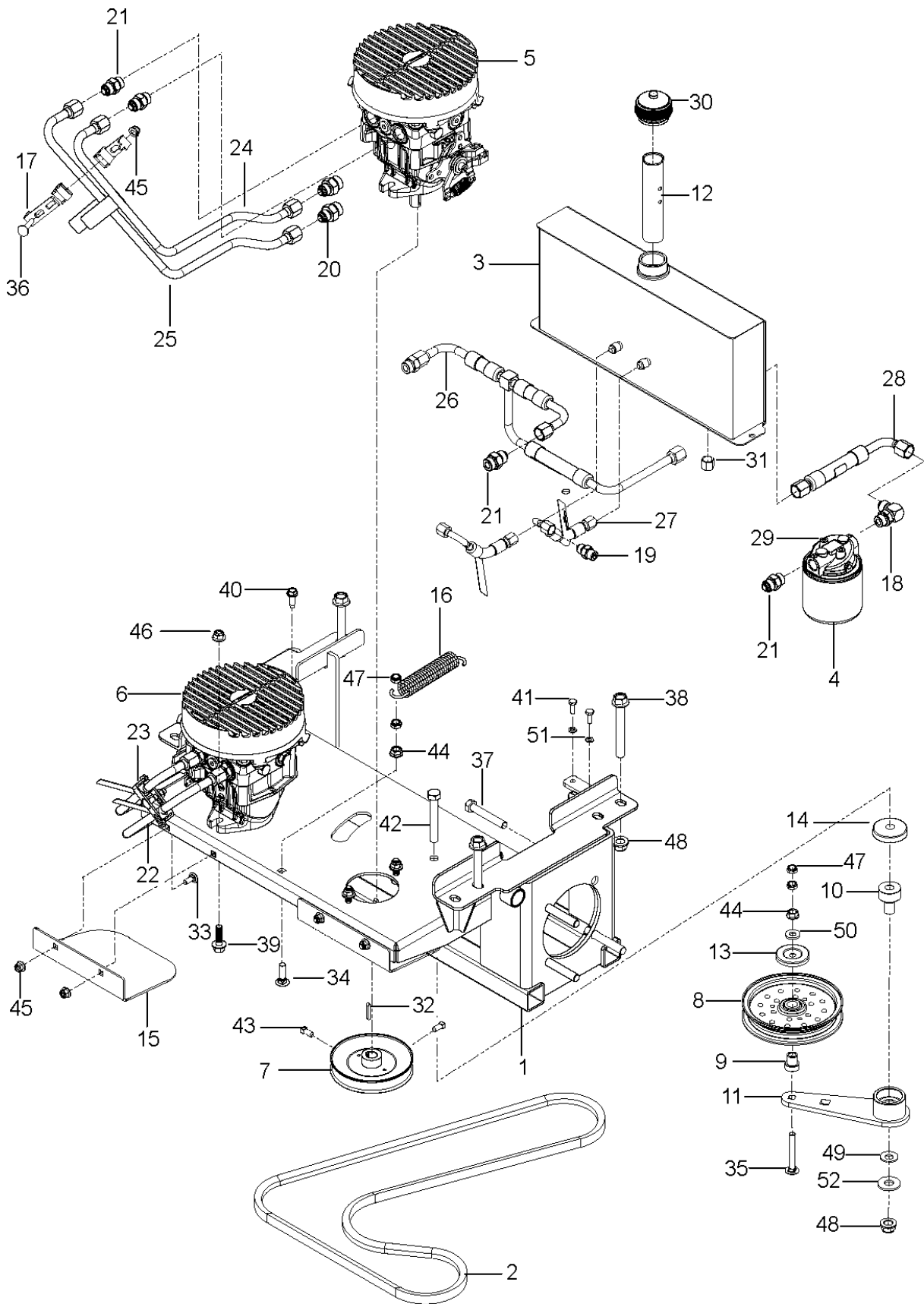
CZT72x, 96794350100, 2018-07



ENGINE PLATE

CZT72x, 96794350100, 2018-07

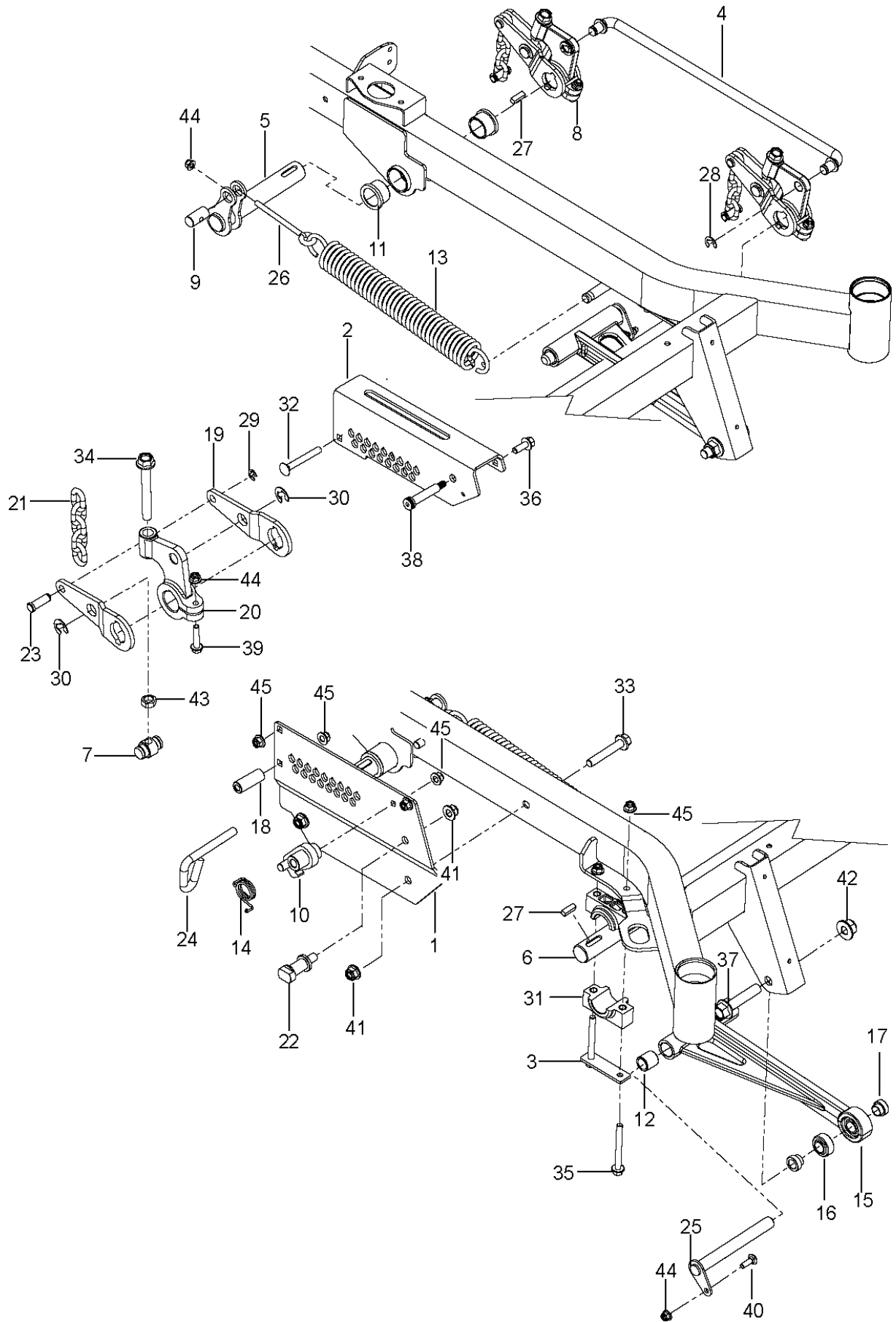
Ref	Part No	Description	Remark	QTY KIT
1	510 00 46-02	PLATE		1
2	510 01 98-01	PULLEY		1
3	589 62 85-01	EXHAUST		1
4	525 74 95-01	CLUTCH		1
5	522 67 67-02	STOP		1
6	539 11 96-80	ADAPTER OIL DRAIN		1
7	539 11 89-11	3/8` PIPE NIPPLE 3`		2
8	539 10 50-72	90DEG.ELBOW 3/8NPT		1
9	522 83 70-01	PLUG		1
10	587 04 48-14	HOSE		1
11	525 74 99-01	KEY		1
12	539 10 96-18	O-RING		1
13	539 91 22-22	CLAMP		2
14	505 28 00-01	TIE WRAP		1
15	874 78 07-16	BOLT		1
16	581 33 28-01	BOLT		1
17	539 99 05-63	SCREW		4
18	574 23 38-01	HHFS		2
19	539 99 02-08	SCREW		3
20	532 18 43-62	NUT HEX FLANGE TOPLOCK		1
21	539 11 28-99	NUT, 5/16-18, NYLOC		8
22	539 10 25-82	NUT		1
23	539 99 02-47	WASHER		1
24	539 10 25-93	WASHER		4
25	539 12 56-26	BLADE WASHER		1
	525 55 42-01	HARNES	NOT SHOWN	1
	574 82 58-01	KIT	NOT SHOWN	1
	586 83 97-01	GASKET	NOT SHOWN	2



HYDRAULIC PUMP - MOTOR

CZT72x, 96794350100, 2018-07

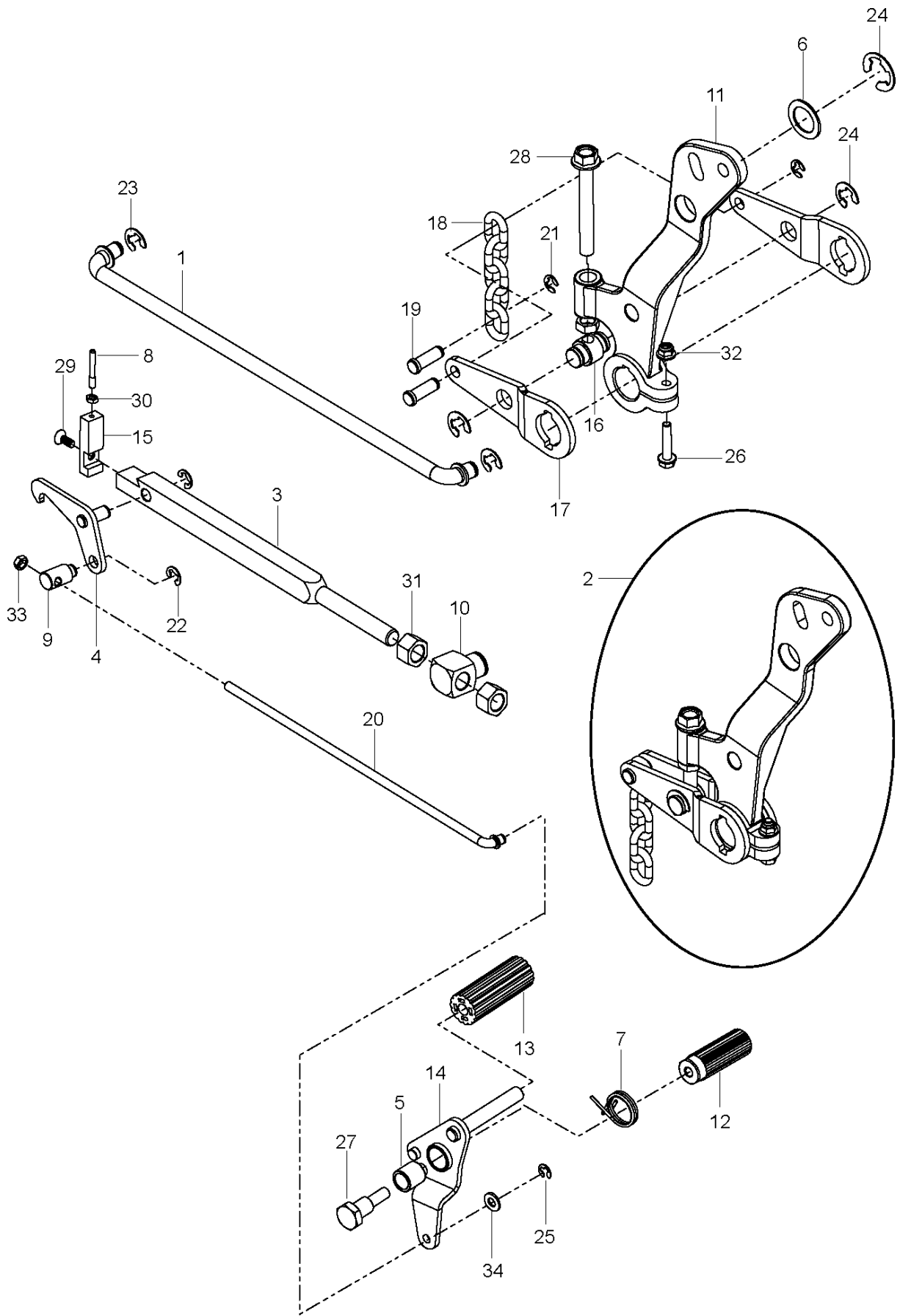
Ref	Part No	Description	Remark	QTY KIT
1	506 00 79-02	FRAME		1
2	573 97 83-01	BELT		1
3	576 03 59-02	RESERVOIR		1
4	522 80 54-01	FILTER		1
5	506 12 04-01	PUMP		1
6	506 12 05-01	PUMP		1
7	510 01 90-02	PULLEY		2
8	510 28 37-02	IDLER		1
9	525 43 56-01	PIVOT		1
10	510 20 63-01	PIVOT		1
11	510 04 16-03	ARM		1
12	522 80 50-01	TUBE		1
13	510 25 45-01	SHIELD		1
14	539 11 46-62	SHIELD, DUST		1
15	574 39 85-02	SHIELD		2
16	577 43 72-01	SPRING		1
17	576 57 77-01	ASSEMBLY		2
18	539 10 12-42	ELBOW		1
19	539 10 33-16	CONNECTION		2
20	539 10 12-39	CONNECTOR		4
21	539 10 12-37	CONNECTION		7
22	510 01 36-01	LINE		1
23	510 01 37-01	LINE		1
24	510 01 38-01	LINE		1
25	510 01 39-01	LINE		1
26	510 01 40-01	LINE		1
27	510 01 45-01	LINE		2
28	510 01 07-01	LINE		1
29	575 87 23-01	HEAD		1
30	522 80 53-01	CAP		1
31	539 10 51-68	CAP		1
32	539 10 11-77	KEY		2
33	539 99 03-16	BOLT		4
34	872 14 06-10	BOLT		1
35	872 14 06-22	BOLT		1
36	539 10 29-33	RHSNB 5/16-18 X 1-1/2 GR 5 ZD		1
37	874 78 08-44	BOLT		8
38	525 54 48-01	SCREW		4
39	525 83 42-01	SCREW		4
40	817 49 05-16	SCREW		2
41	539 99 00-72	SCREW		2
42	874 78 08-52	BOLT		1
43	539 10 27-17	SCREW		4
44	539 99 06-13	NUT		1
45	539 11 28-99	NUT, 5/16-18, NYLOC		5
46	521 99 65-01	NUT		4
47	539 20 02-82	NUT		4
48	521 99 11-01	NUT		5
49	539 11 55-28	1/2` CONTACT BELLSPR		1
50	522 02 34-01	WASHER		1
51	539 99 00-52	WASHER		2
52	819 18 22-12	WASHER		1



MOWER LIFT / DECK LIFT

CZT72x, 96794350100, 2018-07

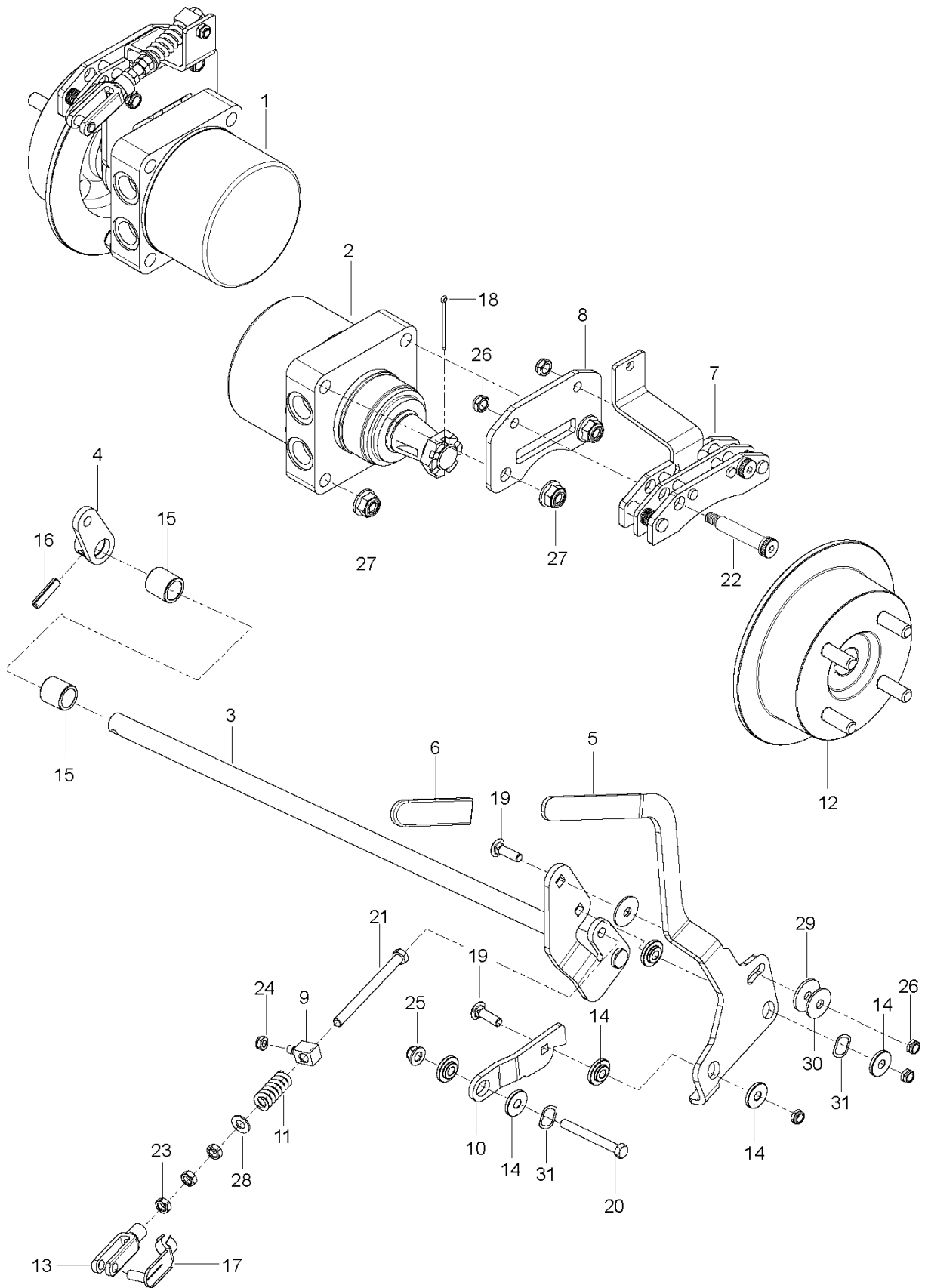
Ref	Part No	Description	Remark	QTY KIT
1	510 40 85-05	PLATE		1
2	510 40 86-05	PLATE		1
3	525 82 22-01	PLATE		2
4	510 08 98-01	ROD		1
5	510 41 07-03	SHAFT		2
6	510 40 96-02	SHAFT		1
7	510 02 36-01	SHAFT		3
8	525 46 55-01	ASSEMBLY		3
9	510 41 23-01	PIVOT		2
10	510 40 68-01	LATCH		1
11	510 08 94-01	BUSHING		4
12	510 08 92-01	BUSHING		2
13	510 02 92-01	SPRING		2
14	510 37 66-01	SPRING		1
15	510 10 65-01	ASSEMBLY		2
16	510 08 38-01	BALL JOINT		1
17	510 36 25-01	SPACER		4
18	510 40 84-01	SPACER		1
19	510 41 00-02	ARM		3
20	510 02 25-01	ARM		1
21	539 10 26-41	CHAIN		3
22	510 40 67-01	GUIDE		1
23	510 09 01-01	PIN		6
24	510 01 65-01	PIN		1
25	515 98 82-01	PIN		2
26	539 12 09-93	EYE BOLT		2
27	525 82 25-01	KEY		4
28	539 10 50-69	RETAINING RING		2
29	522 70 52-01	RING		4
30	539 10 24-54	RETAINING RING		6
31	510 02 39-02	BLOCK		4
32	539 12 27-28	3/8-16 X 3' CARR BOLT		1
33	874 49 08-48	SCREW		2
34	525 46 57-01	HHFS		3
35	874 49 06-52	SCREW		4
36	525 61 28-01	SCREW		2
37	874 45 10-48	SCREW		2
38	516 03 55-01	BOLT		1
39	525 46 54-01	SCREW		1
40	872 11 05-08	BOLT		2
41	521 99 11-01	NUT		3
42	525 82 91-01	NUT		2
43	539 99 06-25	NUT		4
44	539 11 28-99	NUT, 5/16-18, NYLOC		7
45	521 99 65-01	NUT		4



MOWER LIFT LEVER

CZT72x, 96794350100, 2018-07

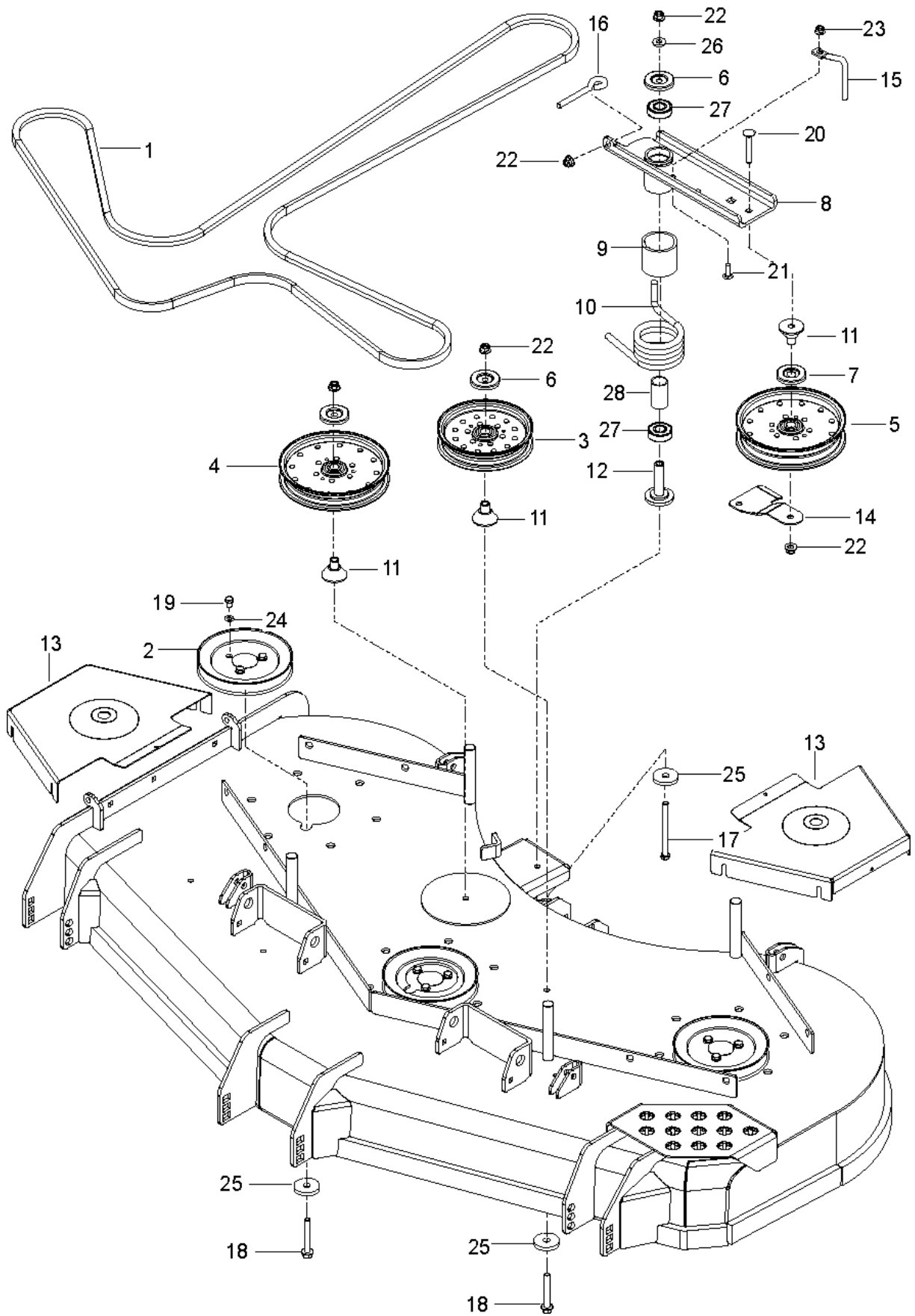
Ref	Part No	Description	Remark	QTY KIT
1	510 08 98-01	ROD		1
2	525 46 55-02	ASSEMBLY		1 11, 16, 17, 18, 19
3	510 40 63-01	BAR		1
4	510 40 72-01	LATCH		1
5	510 08 92-01	BUSHING		1
6	539 91 65-61	MACHINE BUSHING		1
7	510 37 67-01	SPRING		1
8	510 40 66-01	LINK		1
9	510 40 75-01	SWIVEL		1
10	510 40 64-01	SWIVEL		1
11	510 02 25-02	ARM		1
12	510 40 83-01	PEDAL		1
13	510 08 95-01	PAD		1
14	510 40 78-01	PEDAL		1
15	510 40 65-01	CAP		1
16	510 02 36-01	SHAFT		1
17	510 41 00-02	ARM		1
18	539 10 26-41	CHAIN		1
19	510 09 01-01	PIN		2
20	510 40 76-01	ROD		1
21	522 70 52-01	RING		4
22	539 10 19-49	RETAINING RING		2
23	539 10 50-69	RETAINING RING		2
24	539 10 24-54	RETAINING RING		2
25	539 99 08-70	E RING 3/8"		1
26	525 46 54-01	SCREW		1
27	510 40 82-01	BOLT		1
28	525 46 57-01	HHFS		1
29	522 70 56-01	SCREW		1
30	539 99 11-12	NUT, 1/4-20, JAM		1
31	539 10 86-77	NUT 3/4-10 HEX ZD		2
32	539 11 28-99	NUT, 5/16-18, NYLOC		1
33	539 10 87-32	NUT 3/8-24 HEX JAM ZD		1
34	819 13 13-16	WASHER		1



PARKING BRAKE

CZT72x, 96794350100, 2018-07

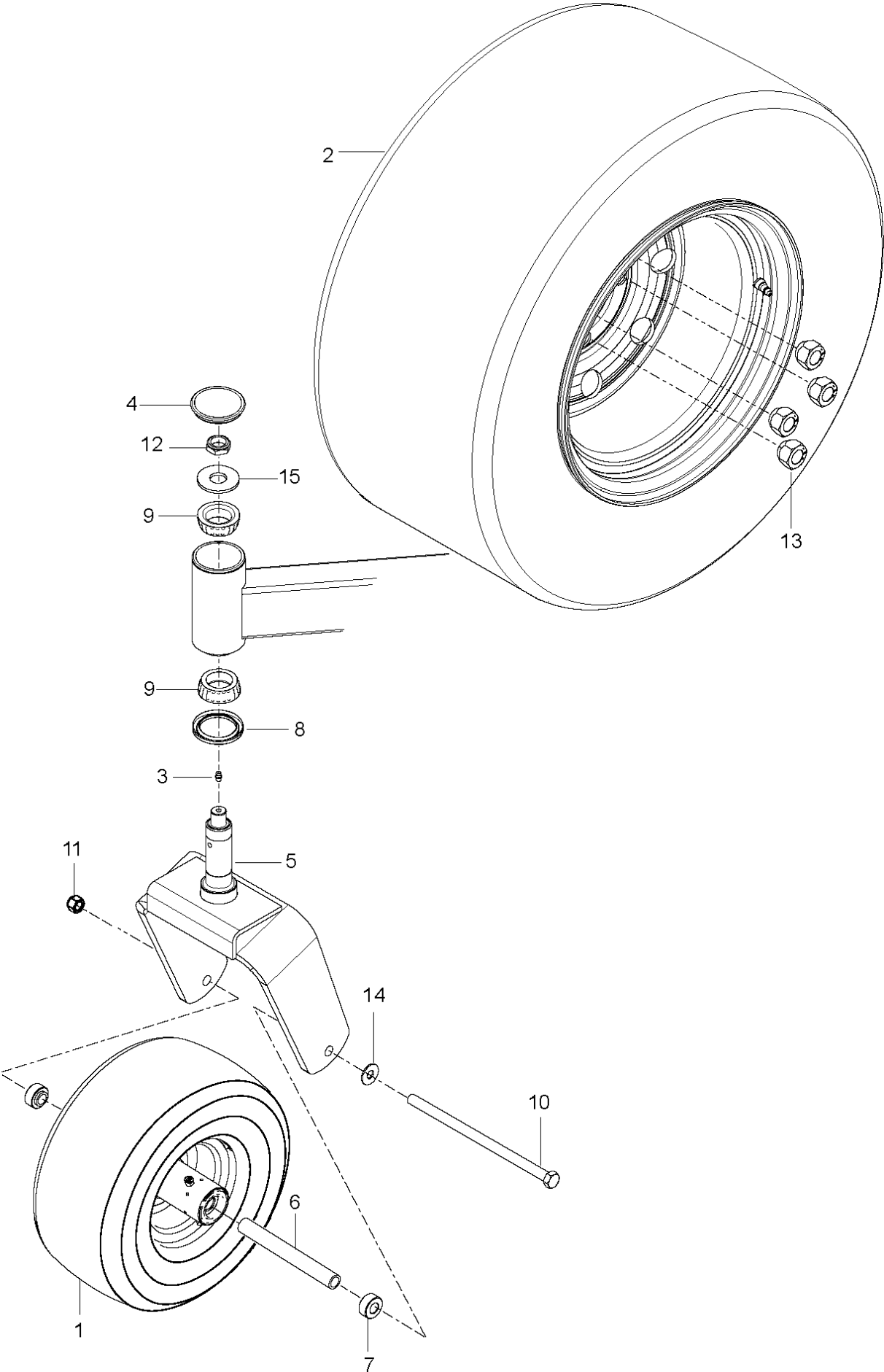
Ref	Part No	Description	Remark	QTY KIT
1	574 80 52-02	MOTOR		1
2	574 80 52-01	MOTOR		1
3	525 85 12-01	SHAFT		1
4	510 02 59-01	ARM		1
5	515 98 00-02	LEVER		1
6	539 97 65-26	HANDLE		1
7	539 13 30-47	CALIPER		2
8	525 85 16-01	PLATE		2
9	525 85 14-01	SWIVEL		1
10	515 98 03-01	LINK		1
11	539 11 39-52	SPRING		1
12	525 84 87-01	HUB		2
13	539 97 74-65	BRACKET		1
14	539 13 21-61	BUSHING. BRAKE		6
15	510 08 92-01	BUSHING		2
16	539 11 06-31	5/16 DIA ROLL PIN		1
17	522 70 59-01	PIN		1
18	539 10 28-89	SPLIT PIN		2
19	872 14 06-10	BOLT		3
20	539 92 34-63	HCS 3/8-16 X 3-1/4 GR5 ZD		1
21	539 10 49-84	SCREW		1
22	516 03 55-01	BOLT		4
23	539 10 87-32	NUT 3/8-24 HEX JAM ZD		3
24	539 11 56-17	5/16-18 THIN PROF NY		1
25	521 99 65-01	NUT		1
26	539 20 02-82	NUT		9
27	521 99 11-01	NUT		8
28	819 13 13-16	WASHER		1
29	525 49 09-01	WASHER		2
30	539 91 20-63	CONE WASHER		1
31	539 13 30-07	WASHER. .825 X 1.087. WAVE		2



BELT GUARD & PULLEY

CZT72x, 96794350100, 2018-07

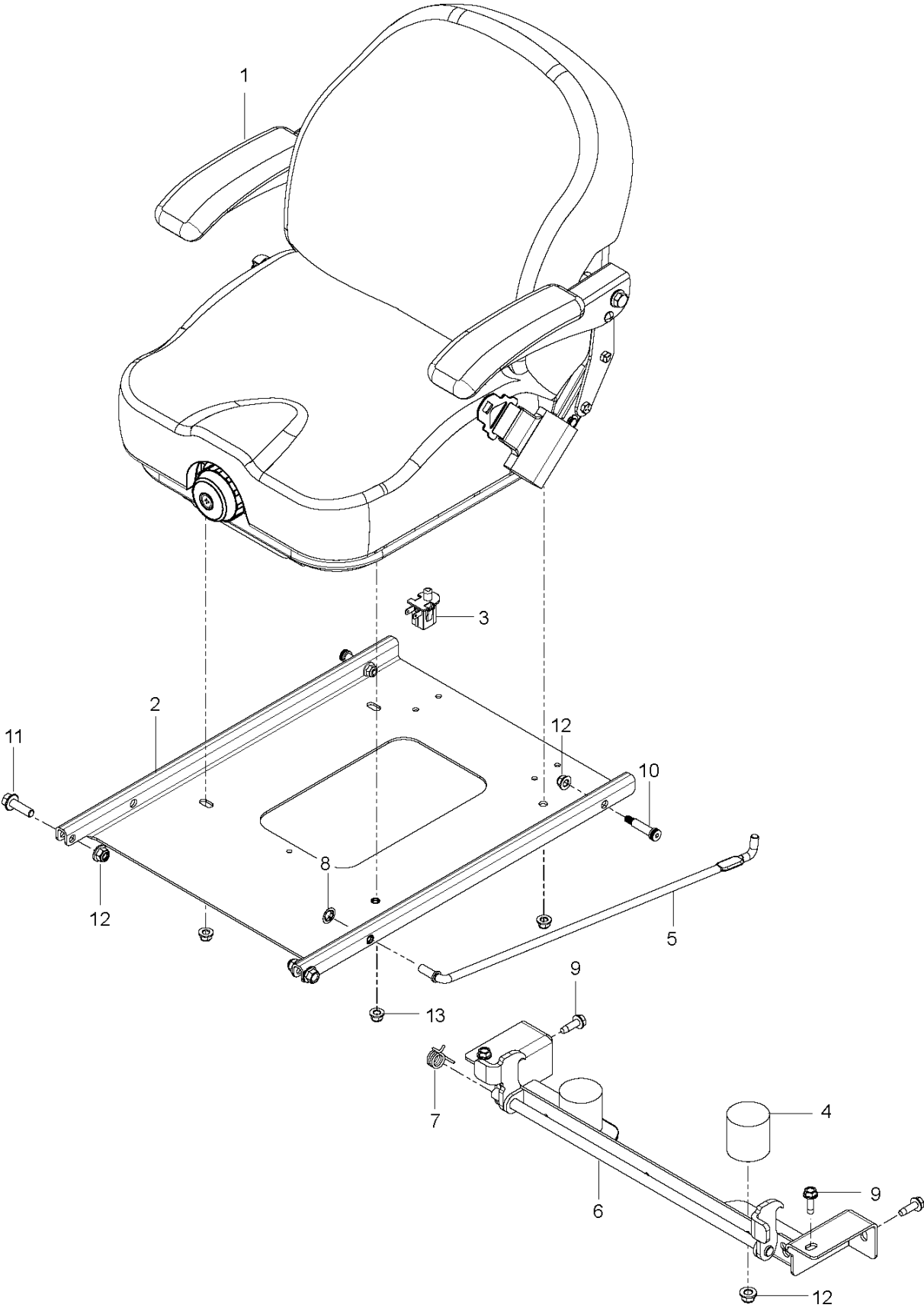
Ref	Part No	Description	Remark	QTY KIT
1	588 26 48-01	BELT		1
2	539 13 06-47	PULLEY		3
3	525 59 82-01	PULLEY		1
4	510 01 96-01	PULLEY		1
5	510 01 51-01	PULLEY		1
6	510 25 45-01	SHIELD		3
7	510 26 22-01	SHIELD		1
8	525 46 44-02	WELDMENT		1
9	525 46 56-01	SPACER		1
10	525 31 09-01	SPRING		1
11	510 26 37-01	BEARING		3
12	522 72 97-01	BEARING		1
13	525 42 61-05	SHIELD		2
14	574 26 21-02	GUIDE		1
15	574 26 22-01	KEEPER		1
16	574 20 20-01	EYEBOLT		1
17	539 10 16-86	SCREW		1
18	874 49 06-44	BOLT		2
19	539 13 03-15	HCS		9
20	539 12 81-01	BOLT		1
21	539 10 72-71	SCREW		1
22	521 99 65-01	NUT		2
23	539 11 28-99	NUT, 5/16-18, NYLOC		1
24	539 10 96-00	WASH 5/16 DISC SPRING ZD		9
25	539 10 65-04	WASHER		3
26	522 02 34-01	WASHER		1
27	532 11 04-85	BEARING		1
28	510 26 42-01	SPACER		1



WHEELS & TIRES

CZT72x, 96794350100, 2018-07

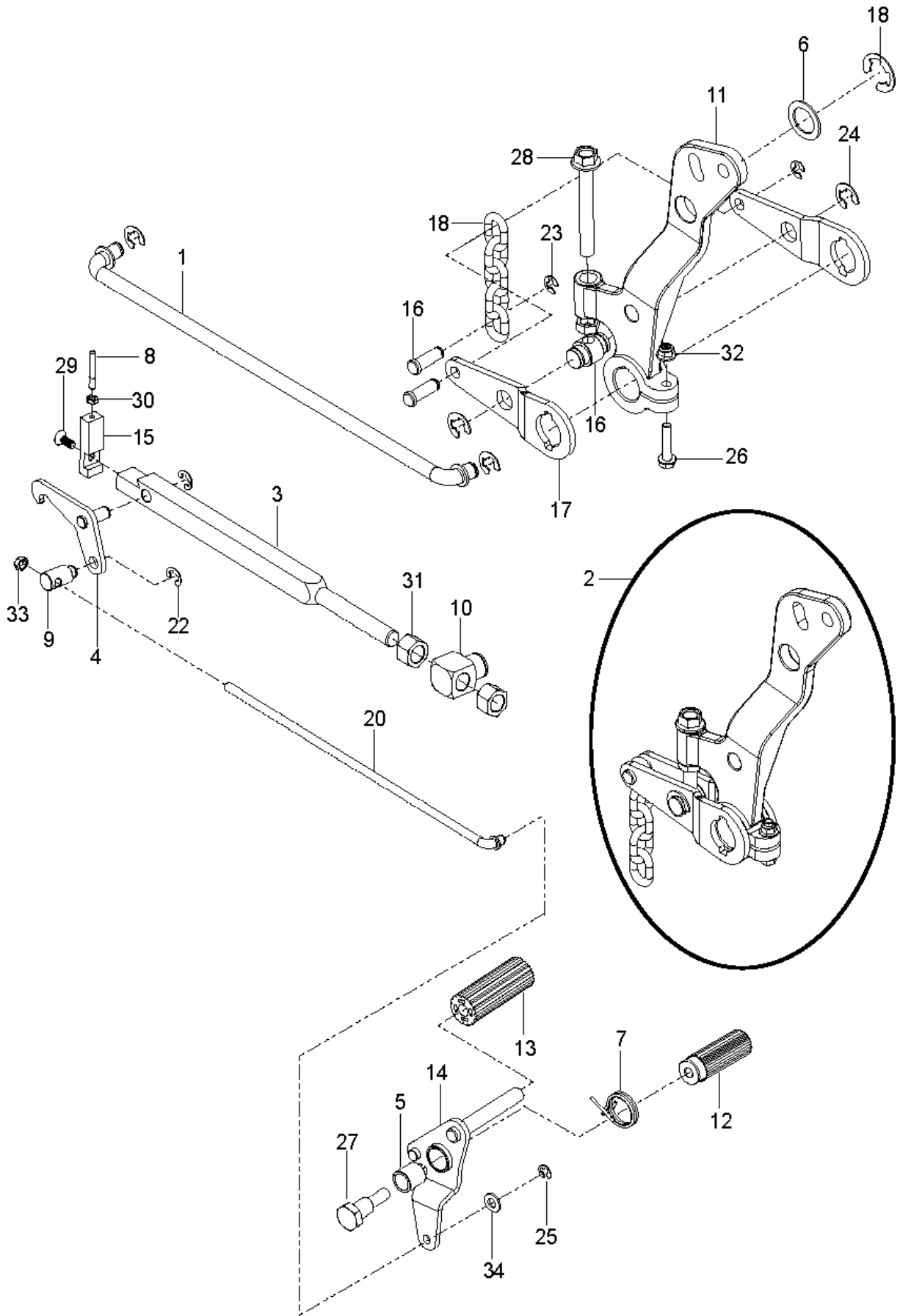
Ref	Part No	Description	Remark	QTY KIT
1	510 15 46-02	TIRE		2
2	591 09 17-01	TIRE		2
3	539 10 14-74	NIPPLE		2
4	510 03 40-01	CAP		2
5	525 61 19-05	FORK		2
6	590 70 49-01	SPACER		2
7	590 69 07-01	SPACER		4
8	510 03 43-01	SEAL		2
9	510 03 44-03	BEARING		4
10	539 10 55-17	BOLT		2
11	521 99 11-01	NUT		2
12	522 84 26-01	NUT		2
13	587 65 39-02	NUT		8
14	539 99 02-50	WASHER		4
15	574 82 47-01	WASHER		2



SEAT

CZT72x, 96794350100, 2018-07

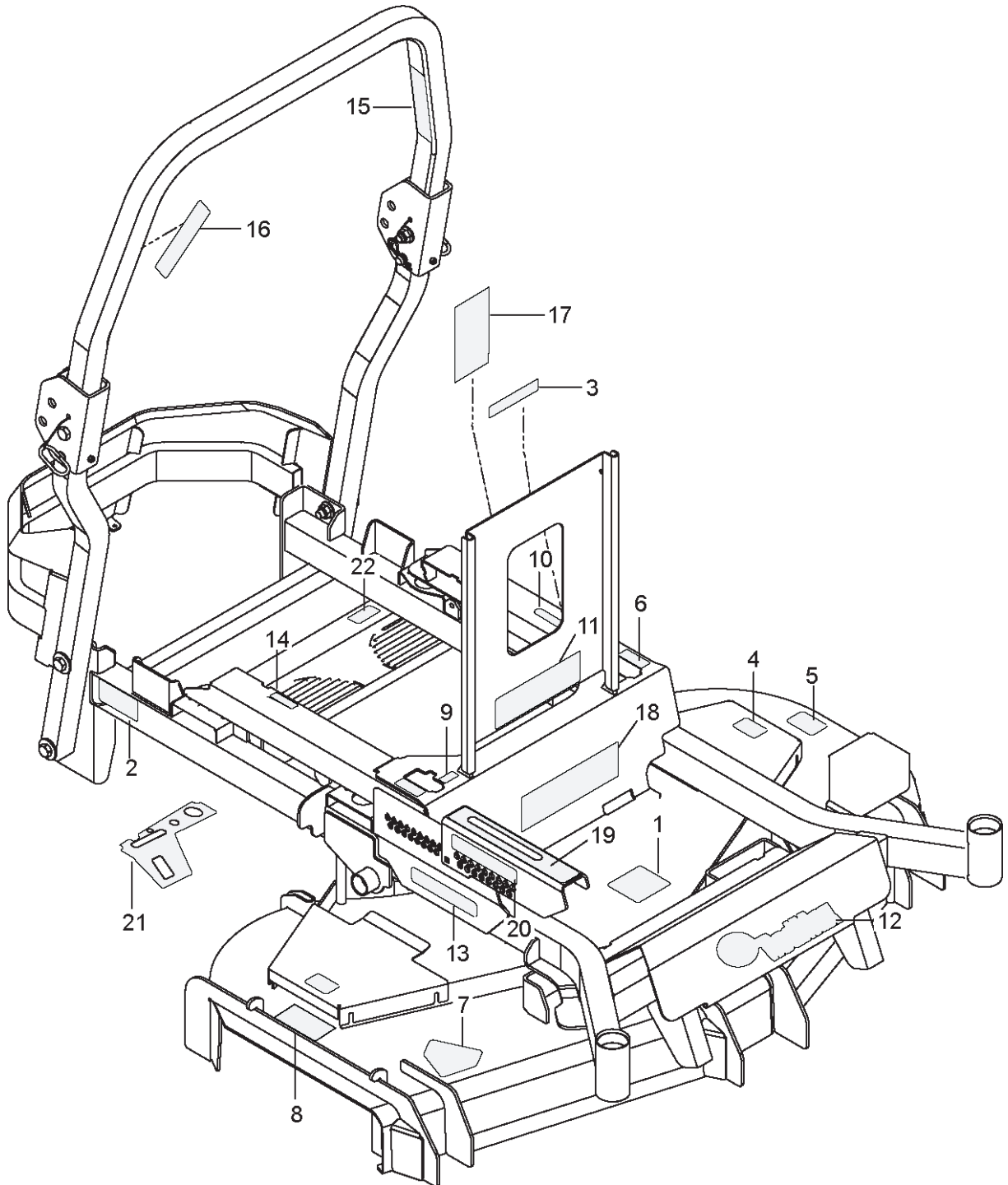
Ref	Part No	Description	Remark	QTY KIT
1	590 89 98-01	SEAT		1
2	510 03 93-02	PAN		1
3	532 42 10-62	SWITCH		1
4	510 28 38-01	BUMPER		2
5	510 06 41-01	ROD		1
6	585 85 74-02	BRACKET		1
7	520 28 31-01	SPRING		1
8	539 91 38-47	BOLT RETAINER 3/8		2
9	817 49 05-16	SCREW		4
10	515 99 06-01	BOLT		2
11	525 83 42-01	SCREW		2
12	521 99 65-01	NUT		6
13	539 11 28-99	NUT, 5/16-18, NYLOC		4



PEDALS

CZT72x, 96794350100, 2018-07

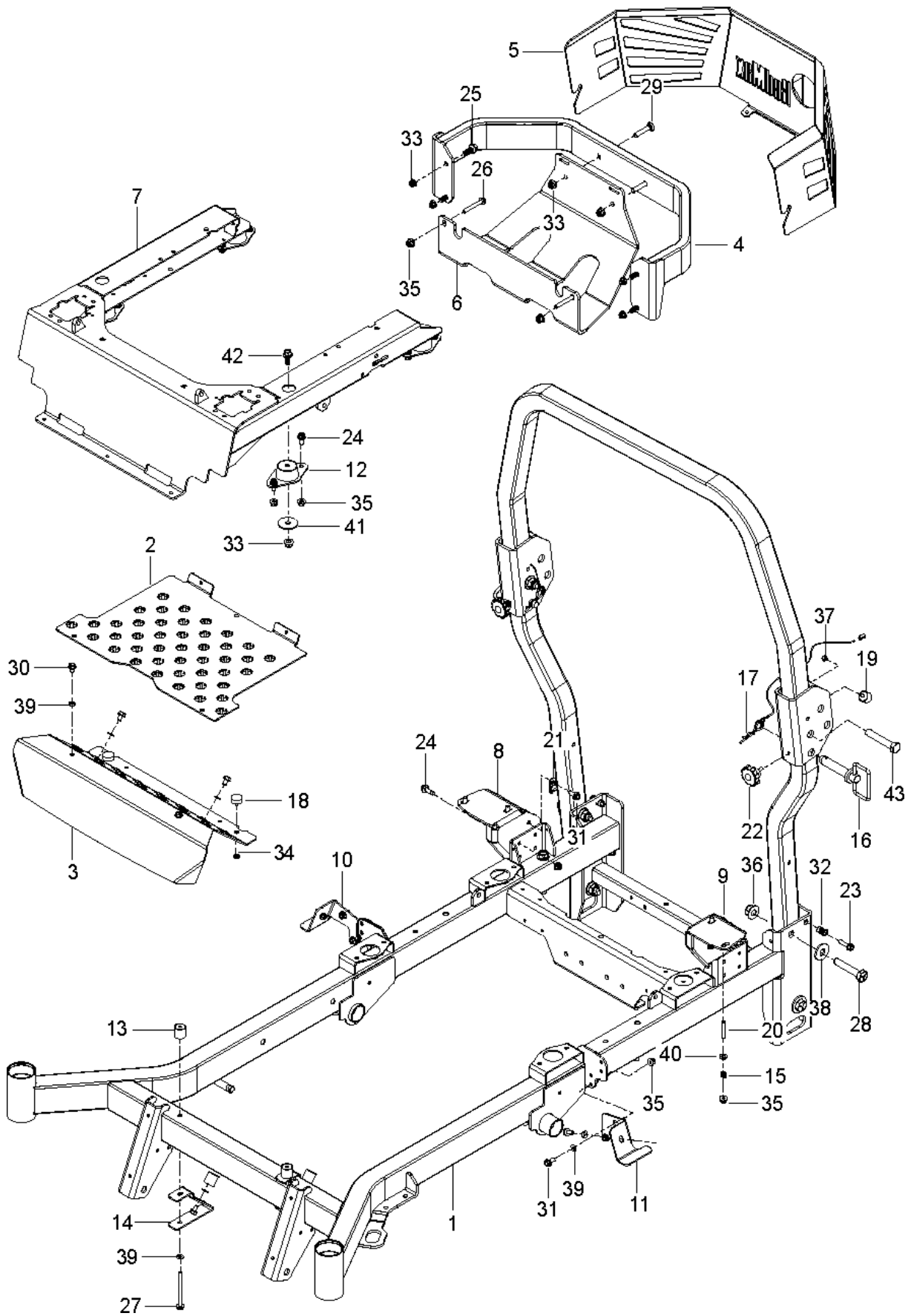
Ref	Part No	Description	Remark	QTY KIT
1	510 08 98-01	ROD		1
2	525 46 55-01	ASSEMBLY		3
3	510 40 63-01	BAR		1
4	510 40 72-01	LATCH		1
5	510 08 92-01	BUSHING		1
6	539 91 65-61	MACHINE BUSHING		1
7	510 37 67-01	SPRING		1
8	510 40 66-01	LINK		1
9	510 40 75-01	SWIVEL		1
10	510 40 64-01	SWIVEL		1
11	510 02 25-02	ARM		1
12	510 08 95-01	PAD		1
13	510 40 83-01	PEDAL		1
14	510 40 78-01	PEDAL		1
15	510 40 65-01	CAP		1
16	510 02 36-01	SHAFT		1
17	510 41 00-02	ARM		1
18	539 10 26-41	CHAIN		1
19	510 09 01-01	PIN		2
20	510 40 76-01	ROD		1
21	539 91 27-30	E-RING 1"		1
22	539 10 19-49	RETAINING RING		2
23	539 10 50-69	RETAINING RING		2
24	539 10 24-54	RETAINING RING		2
25	539 99 08-70	E RING 3/8"		1
26	525 46 54-01	SCREW		1
27	510 40 82-01	BOLT		1
28	525 46 57-01	HHFS		1
29	522 70 56-01	SCREW		1
30	539 99 11-12	NUT, 1/4-20, JAM		1
31	539 10 86-77	NUT 3/4-10 HEX ZD		2
32	539 11 28-99	NUT, 5/16-18, NYLOC		1
33	539 10 87-32	NUT 3/8-24 HEX JAM ZD		1
34	819 13 13-16	WASHER		1



DECALS

CZT72x, 96794350100, 2018-07

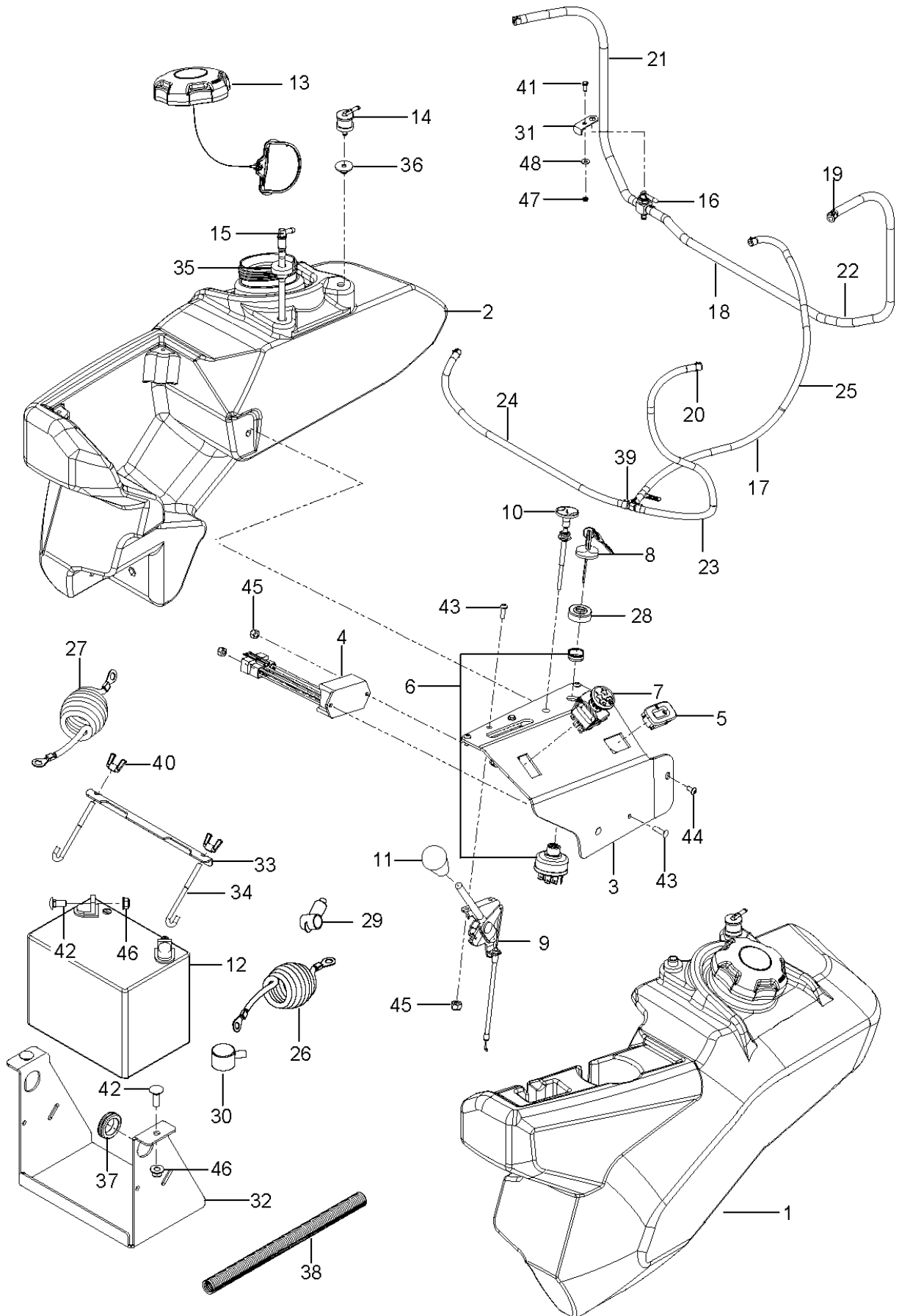
Ref	Part No	Description	Remark	QTY KIT
1	574 43 88-01	DECAL	BELT ROUTE	1
2	539 10 57-44	DECAL	BELT DRIVE WARNING	1
3	539 10 57-45	DECAL	BATTERY WARNING	1
4	581 72 43-01	DECAL	NO STEP	2
5	596 34 10-01	DECAL	60"	1
6	587 60 90-01	DECAL	MOTION CONTROL	2
7	584 90 46-01	DECAL	BLADE WARNING	1
8	581 72 44-01	DECAL	DEFLECTOR	1
9	501 26 12-01	DECAL	TRACKING	2
10	501 26 13-01	DECAL	PARK BRAKE	1
11	590 48 55-01	DECAL	WARNING	1
12	590 79 91-01	DECAL	LOGO	1
13	596 34 11-01	DECAL	CZT60x	2
14	590 79 20-01	DECAL	FUSE	1
15	593 01 11-01	DECAL	ROPS	1
16	574 56 90-02	DECAL	ROPS WARNING	1
17	574 82 59-01	DECAL	SERVICE	1
18	596 34 12-01	DECAL	SPARK ARRESTOR	1
19	590 82 28-01	DECAL	HEIGHT	1
20	590 82 29-01	DECAL	HEIGHT	1
21	590 80 11-02	DECAL	CONSOLE	1
22	590 80 10-01	DECAL	FUEL	1



FRAME

CZT72x, 96794350100, 2018-07

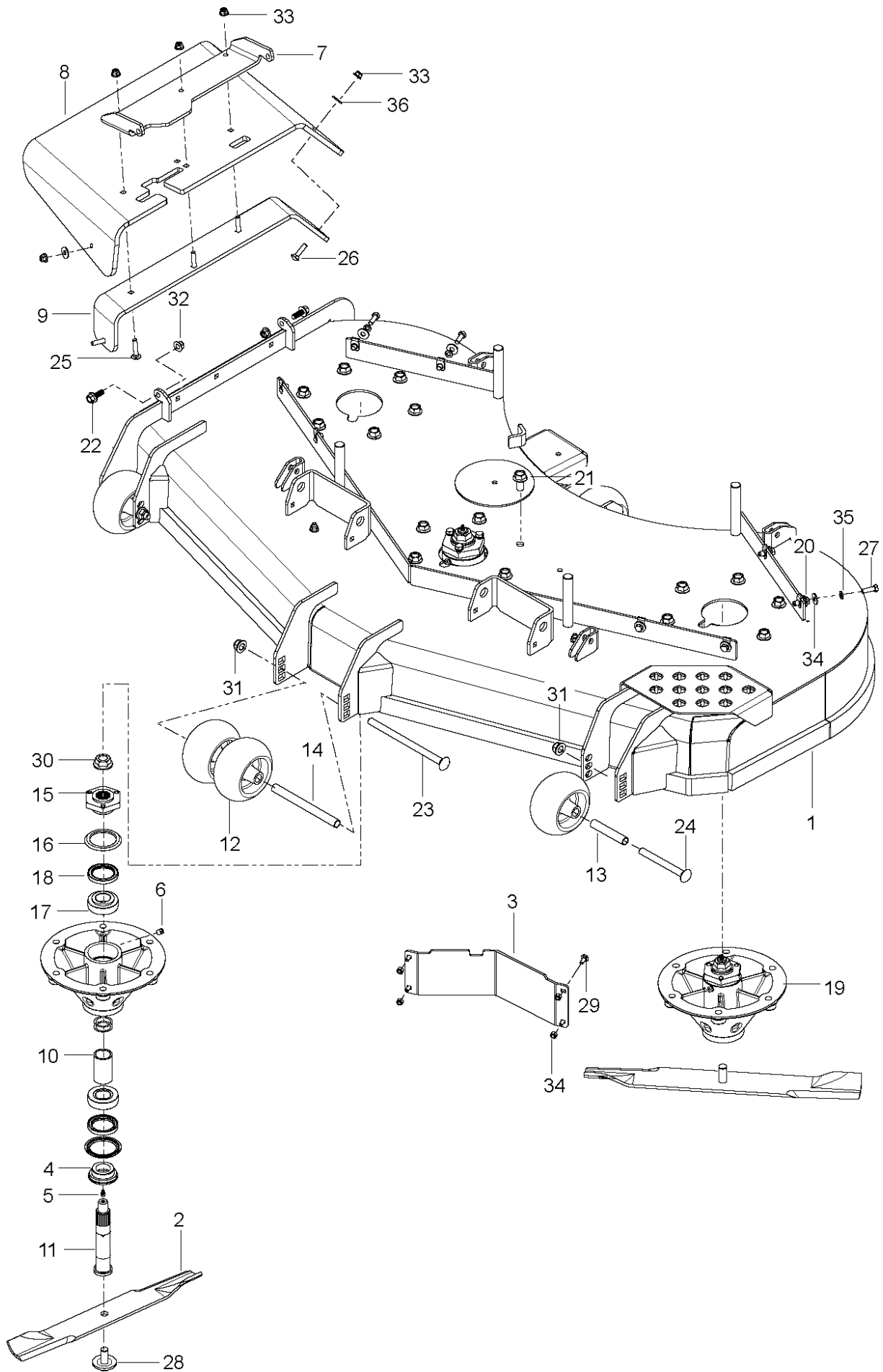
Ref	Part No	Description	Remark	QTY KIT
1	574 48 28-08	FRAME		1
2	574 21 56-05	PLATE		1
3	574 21 57-04	PLATE		1
4	522 67 57-05	BUMPER		1
5	574 29 91-06	GUARD		1
6	574 22 86-04	PLATE		1
7	577 32 77-04	FRAME		1
8	529 27 96-03	MOUNT		1
9	529 27 97-03	MOUNT		1
10	593 80 32-03	BRACKET		1
11	529 28 00-03	MOUNT		1
12	510 08 21-01	MOUNT		4
13	510 08 32-01	MOUNT		4
14	510 04 03-01	BRACKET		2
15	539 10 28-45	SPRING		4
16	591 10 16-01	PIN		2
17	591 10 17-01	PIN		2
18	575 81 15-01	BUMPER		2
19	522 80 14-01	BUMPER		2
20	539 10 25-02	STUD		4
21	539 10 98-67	DOUBLE TUBE CLAMP		1
22	591 34 45-01	KNOB		2
23	525 54 40-01	BOLT		2
24	874 49 05-12	BOLT		14
25	525 61 28-01	SCREW		4
26	574 23 38-01	HHFS		2
27	539 13 17-80	HHFS 5/16-18 X 3 3/4		2
28	580 75 46-01	BOLT		6
29	539 10 01-45	RHSNB 3/8C X 2		2
30	539 99 08-58	SCR5/16-18X1/2 SELFTAP ZN SPEC		6
31	817 49 05-16	SCREW		7
32	539 11 10-28	NUTSERT 5/16-18 THICK GRIP		2
33	521 99 65-01	NUT		8
34	539 10 81-20	NUT		2
35	539 11 28-99	NUT, 5/16-18, NYLOC		16
36	525 82 91-01	NUT		6
37	539 97 69-78	NUT		2
38	539 10 26-53	WASHER		6
39	539 10 96-00	WASH 5/16 DISC SPRING ZD		6
40	819 11 11-16	WASHER		4
41	539 11 18-97	WASHER, 3/8, SPEC		4
42	525 61 28-01	SCREW		1
43	591 17 66-01	BOLT		1
	590 87 78-02	ROPS	NOT SHOWN	1



IGNITION SYSTEM

CZT72x, 96794350100, 2018-07

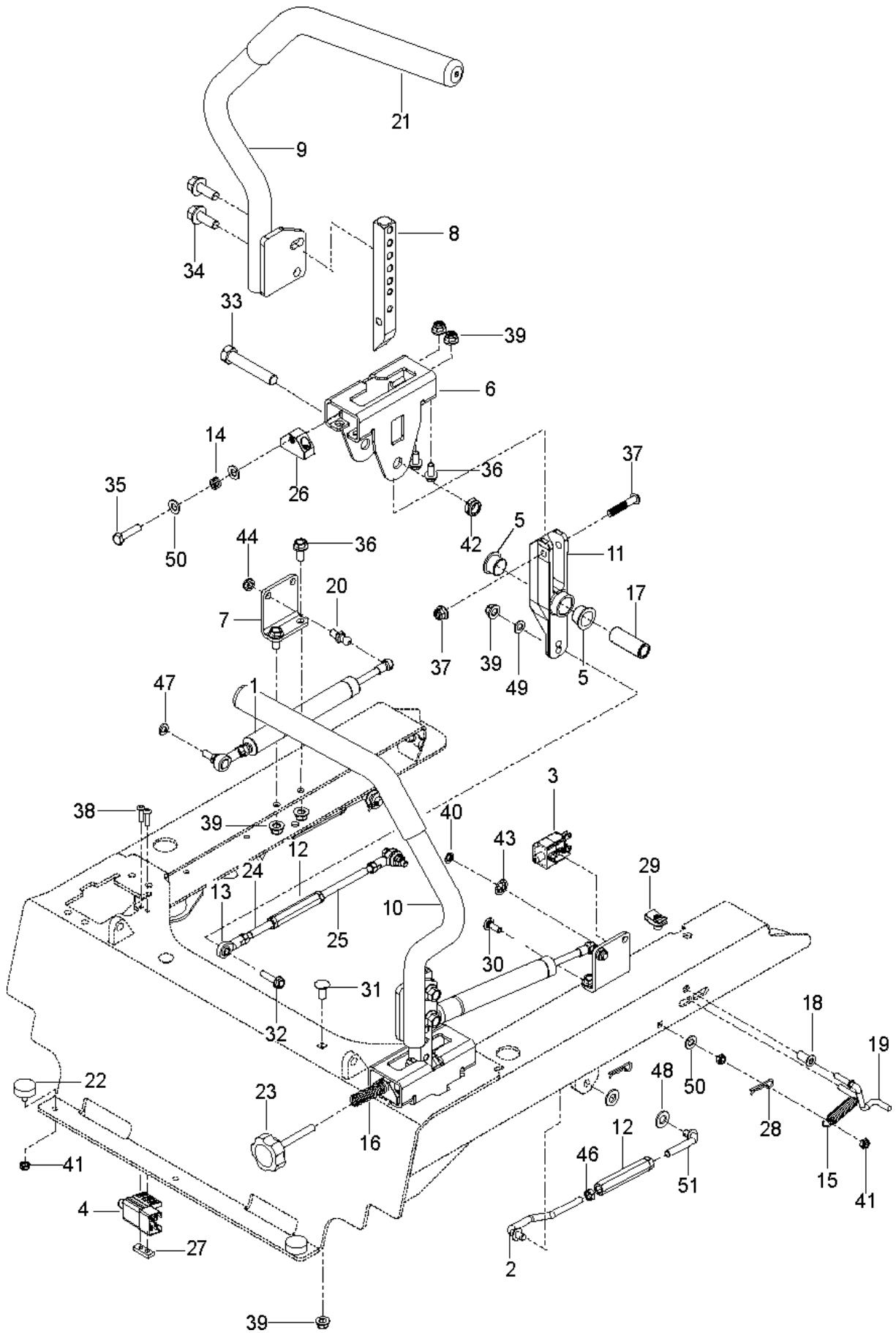
Ref	Part No	Description	Remark	QTY	KIT
1	589 99 73-02	FUEL TANK ASSY		1	14, 15, 16, 18, 19
2	590 02 60-02	FUEL TANK ASSY		1	
3	529 28 02-03	PANEL		1	
4	574 51 40-01	TIMER		1	
5	586 16 18-01	HOUR METER		1	
6	574 45 54-01	SWITCH		1	
7	582 10 76-02	SWITCH		1	
8	574 45 55-01	KEY		1	
9	574 20 70-02	CABLE		1	
10	574 20 69-01	CABLE		1	
11	539 13 26-24	KNOB - SHIFT		1	
12	539 10 24-63	BATTERY		1	
13	575 01 81-03	CAP		1	17, 22, 23
14	576 61 81-01	TANK VENT		1	
15	525 86 54-01	TUBE ASSY		1	
16	539 10 26-79	FUEL TAP		1	
17	587 59 34-01	HOSE ASSY		1	
18	577 15 05-01	ASSEMBLY		1	
19	539 91 22-22	CLAMP		1	
20	575 43 65-01	CLAMP		1	
21	587 04 48-22	HOSE		2	
22	587 04 48-38	HOSE		4	
23	587 04 45-37	HOSE		2	
24	587 04 45-21	HOSE		1	
25	587 04 45-30	HOSE		1	
26	522 71 87-01	CABLE		1	
27	522 71 07-01	CABLE		6	
28	539 10 31-78	NUT CAP		6	
29	539 10 27-59	INSULATOR		2	
30	532 43 59-35	ROD		2	
31	587 18 14-04	BRACKET		2	
32	510 02 99-02	BRACKET		2	
33	593 63 44-04	BRACKET		6	
34	510 06 40-01	HOOK		3	
35	539 10 52-45	GROMMET		2	
36	576 61 81-01	TANK VENT		2	
37	539 10 59-74	GROMMET		13	
38	579 57 97-01	LOOM		4	
39	574 20 66-02	TEE		8	
40	539 99 09-97	WINGNUT		1	
41	539 99 05-80	SCREW		1	
42	872 14 05-06	BOLT		1	
43	574 82 27-01	SCREW		1	
44	539 11 43-41	SCREW		1	
45	539 97 69-77	NUT		1	
46	539 11 28-99	NUT, 5/16-18, NYLOC		1	
47	539 10 81-20	NUT		1	
48	539 99 05-98	WASHER		1	
	589 67 01-01	HARNESS	NOT SHOWN	1	
	532 40 96-15	RELAY HARNESS.SEALED	NOT SHOWN	1	



MOWER DECK / CUTTING DECK

CZT72x, 96794350100, 2018-07

Ref	Part No	Description	Remark	QTY KIT
1	TBD	TBD	588 12 76-10 Deck w/ Safety Decals	1
2	539 10 54-76	BLADE		3
3	574 22 18-02	BAFFLE		1
4	580 94 25-01	CARRIER		3
5	539 97 69-98	NIPPLE		3
6	539 97 73-26	ZERK		3
7	574 19 70-02	BRACKET		1
8	525 48 57-01	CHUTE		1
9	525 48 59-02	BRACKET		1
10	580 94 29-01	SHIM		3
11	580 94 21-01	SHAFT		3
12	574 16 96-01	ROLLER		4
13	574 19 64-01	TUBE		2
14	574 19 65-01	TUBE		1
15	580 94 22-01	HUB		3
16	580 94 27-01	V-RING		6
17	580 94 18-01	BEARING		6
18	580 94 26-01	SEAL		6
19	580 94 33-06	SPINDLE		3
20	539 10 47-63	CLIP		8
21	574 21 06-01	SCREW		18
22	525 61 28-01	SCREW		2
23	872 14 08-64	BOLT		1
24	510 02 23-01	SCREW		2
25	539 10 29-33	RHSNB 5/16-18 X 1-1/2 GR 5 ZD		3
26	539 10 04-72	SCREW		2
27	539 99 02-09	SCREW		8
28	539 11 90-07	SCREW		3
29	539 11 56-20	1/4-20X3/4 CARR BLT		4
30	539 13 06-53	NUT - FLANGE 3/4-16		3
31	521 99 11-01	NUT		3
32	521 99 65-01	NUT		1
33	539 11 28-99	NUT, 5/16-18, NYLOC		5
34	539 97 69-78	NUT		4
35	539 99 01-87	WASHER		8
36	819 12 14-14	WASHER		10
	522 82 93-01	BLADE		3
	574 48 13-01	BLADE		3
	522 93 66-01	BLADE		3
	539 10 97-55	BLADE		3
	574 75 42-01	KIT		1



STEERING

CZT72x, 96794350100, 2018-07

Ref	Part No	Description	Remark	QTY	KIT
1	516 02 03-01	DAMPER		2	
2	525 44 80-01	LINKAGE		1	12, 46
3	539 11 37-92	SWITCH		1	
4	532 10 95-53	SWITCH		2	
5	539 13 15-18	BEARING. FLANGE		4	
6	586 73 72-02	BRACKET		2	
7	501 74 11-01	BRACKET		2	
8	574 26 94-01	LEVER		2	
9	577 04 24-03	ASSEMBLY		1	
10	577 04 23-03	ASSEMBLY		1	
11	576 14 03-02	LEVER		2	
12	539 10 91-49	TURNBUCKLE, 3/8		4	
13	539 10 25-90	BALL JOINT		4	
14	539 10 28-45	SPRING		1	
15	539 02 00-35	SPRING		1	
16	576 85 03-01	SPRING		1	
17	577 25 24-01	SPACER		2	
18	511 59 49-01	BUSHING		1	
19	511 59 50-01	LINK		1	
20	539 11 06-07	10MM BALL STUD		2	
21	TBD	TBD	532 13 08-94 Grip, Lever RT	2	
22	575 81 15-01	BUMPER		2	
23	539 13 17-99	KNOB		1	
24	522 55 92-01	LINKAGE		2	
25	522 84 28-01	LINKAGE		2	
26	581 43 75-01	BLOCK		2	
27	581 22 30-01	PLATE		1	
28	539 97 69-88	PIN RETAINING SCREW		4	
29	539 10 47-63	CLIP		4	
30	539 11 56-20	1/4-20X3/4 CARR BLT		1	
31	539 99 03-16	BOLT		2	
32	525 54 40-01	BOLT		4	
33	874 78 08-44	BOLT		2	
34	525 61 28-01	SCREW		4	
35	874 78 05-20	BOLT		1	
36	874 49 05-12	BOLT		12	
37	576 85 04-02	SCREW		2	
38	574 82 27-01	SCREW		6	
39	539 11 28-99	NUT, 5/16-18, NYLOC		18	
40	539 10 22-34	NUT		4	
41	539 10 81-20	NUT		4	
42	539 10 80-10	NUT, 1/2-13, JAM, NYLOC, GR2		2	
43	539 91 38-47	BOLT RETAINER 3/8		2	
44	873 80 05-00	LOCK NUT		2	
46	539 10 87-32	NUT 3/8-24 HEX JAM ZD		4	
47	539 99 01-87	WASHER		2	
48	819 13 13-16	WASHER		4	
49	539 99 06-92	WASHER		4	
50	819 11 11-16	WASHER		3	
51	525 44 80-02	LINKAGE		1	